

Model: **JUTX350**

JUTX250

UL No. E164858



Features and Benefit:

Excellent Protection Inside

- On-line uninterruptible function
- Ultimate-protection in the power unit
(Avoiding surges, sages and fluctuations)
- Minimizing "Single-Point-Failures"

High Energy Efficiency

- High efficiency and reliability
- Only one time E-M energy transfer.
- Auto battery recharge

Widely Input and Flexible Output

- 115~230V AC and DC 24V
- Meet the ATX 12V
- Back up mode support 17" CRT monitor

Intelligent Remote Control & Monitoring

- Software interface compatibility with VARIOUS
More O/S: WIN, LINUX, etc, With RS-232
- Battery Life Time monitoring (Option)

Special Predominance

- Battery discharge / charge protection
- Auto-sensing thermal control, low acoustic noise

Specification:

- AC input Voltage: 115~230V
- AC input frequency: 47~ 63Hz
- AC efficiency typical: 70%
- DC input Voltage: 12V/ 24V
- DC efficiency input typical: 65%
- Low ripple & noise
- Short circuit protection
- Over load and Voltage protection
- Dielectric withstand input to ground: 1800Vac 1 sec
- Line regulation: $\pm 1\%$ typical
- Load regulation: $\pm 5\%$ typical
- Ripple & Noise 1%~1.5%
- Operating/storage Temp. 0 ° C~45°C / -40 ° C~ 50C
- Hold-up time : 18mS
- P/G signal delay: Power on 100~500 mS; off > 1mS.
- MTBF, about 50000 hrs at 25 ° C. Per Unit
- EMC: regulations EMC, FCC part 15 class B
- Safety compliance with UL, c-UL,

Battery Selection:

Model	INPUT		OUTPUT max									Approval
	Vac	Vdc	+ 5V	+3.3V	5V & 3.3V	+12V	-5V	-12V	+5VSB	charge 28V	Monitor	
	V	V	A	A	W	A	A	A	A	A		
JUTX350	230/115	24	20	14	100W	8	0.5	0.5	1	0.5	17" CRT	UL
TX250	230/115	12	15	14	100W	4	0.3	0.3	0.75	0.5	17" CRT	UL

MECHANICAL

Dimensions and Wiring

Standard P/S II dimension and output wiring of ATX connectors.

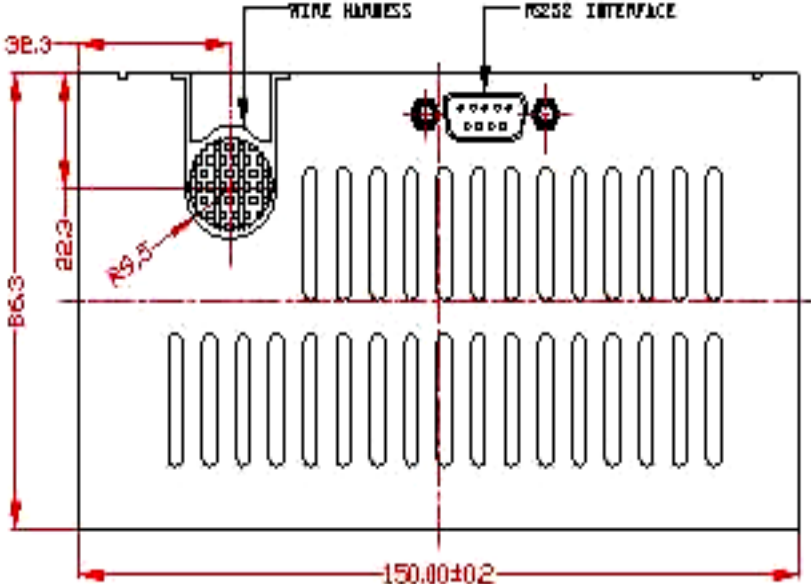


Fig.1

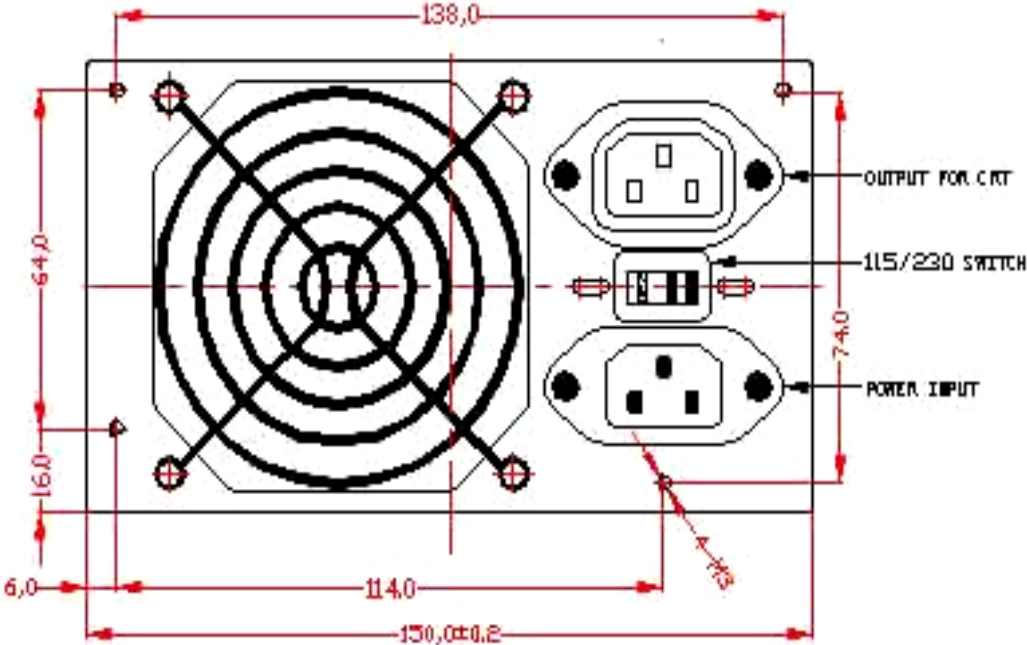
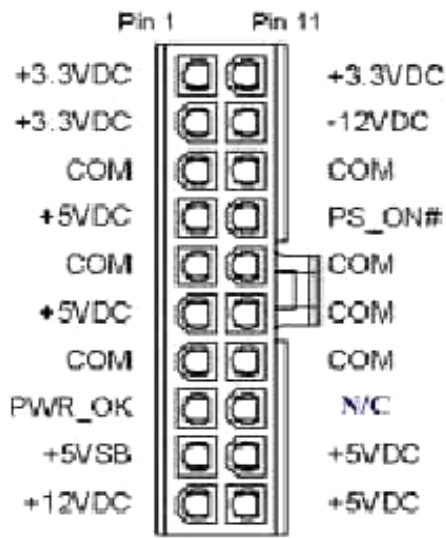
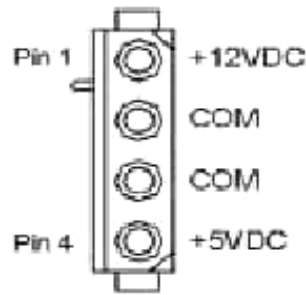


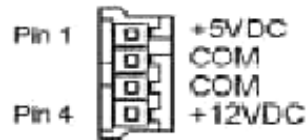
Fig.2



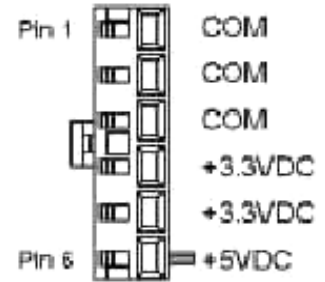
Main Power Connector



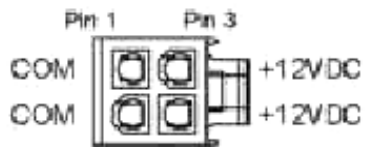
Peripheral Power Connector



Floppy Drive Power Connector



Aux Power Connector



+12V Power Connector

Fig. 3