



Features and Benefit:

Excellent Protection Inside

- On-line UPS function inside
- Ultimate-protection in the power unit
(Avoiding surges, sages and fluctuations)
- Minimizing the “Single-Point-Failures”

High Energy Efficiency

- High total energy efficiency
- Only one time E-M energy transfer.
- Auto battery recharge

Widely Input and Flexible Output

- AC 100~240V and DC (24V) parallel inputs.
- Batteries extensible and hot-swap
- Ni-MH battery, (option)
- Meet the ATX 12V 2.01

Intelligent Remote Control & Monitoring

- Software interface compatibility with
- more O/S: WIN, LINUX, etc, With RS-232 or USB
- Remote control & monitoring via SNMP (option)

Special Predominance

- Battery discharge / charge protection

Specification:

- AC input Voltage:100~240V
- AC input frequency: 47~ 63Hz
- Active PFC compliance with EN61000-3-2 D.
- AC efficiency typical: $\geq 70\%$
- DC input Voltage:24V
- DC efficiency input typical: $\geq 65\%$
- Low ripple & noise
- Short circuit protection
- Over load and Voltage protection
- Dielectric withstand input to ground:1800Vac 1 sec
- Line regulation: $\pm 1\%$ typical
- Load regulation: $\pm 5\%$ typical
- Operating/storage Temp. 0°C~45°C / -40°C~ 50°C
- Hold-up time : $\geq 18\text{mS}$
- P/G signal delay: Power on 100~500mS; off > 1mS.
- MTBF:100K Hrs typical, at 25°C
- EMC: regulations **CE EMC, FCC part 15 class A**
- Safety compliance with **UL, c-UL, CE LVD**
- Dimension: W100 xD200 xH41 mm
- Cooling: 40 x40(mm) Fan x 2

Battery Selection:

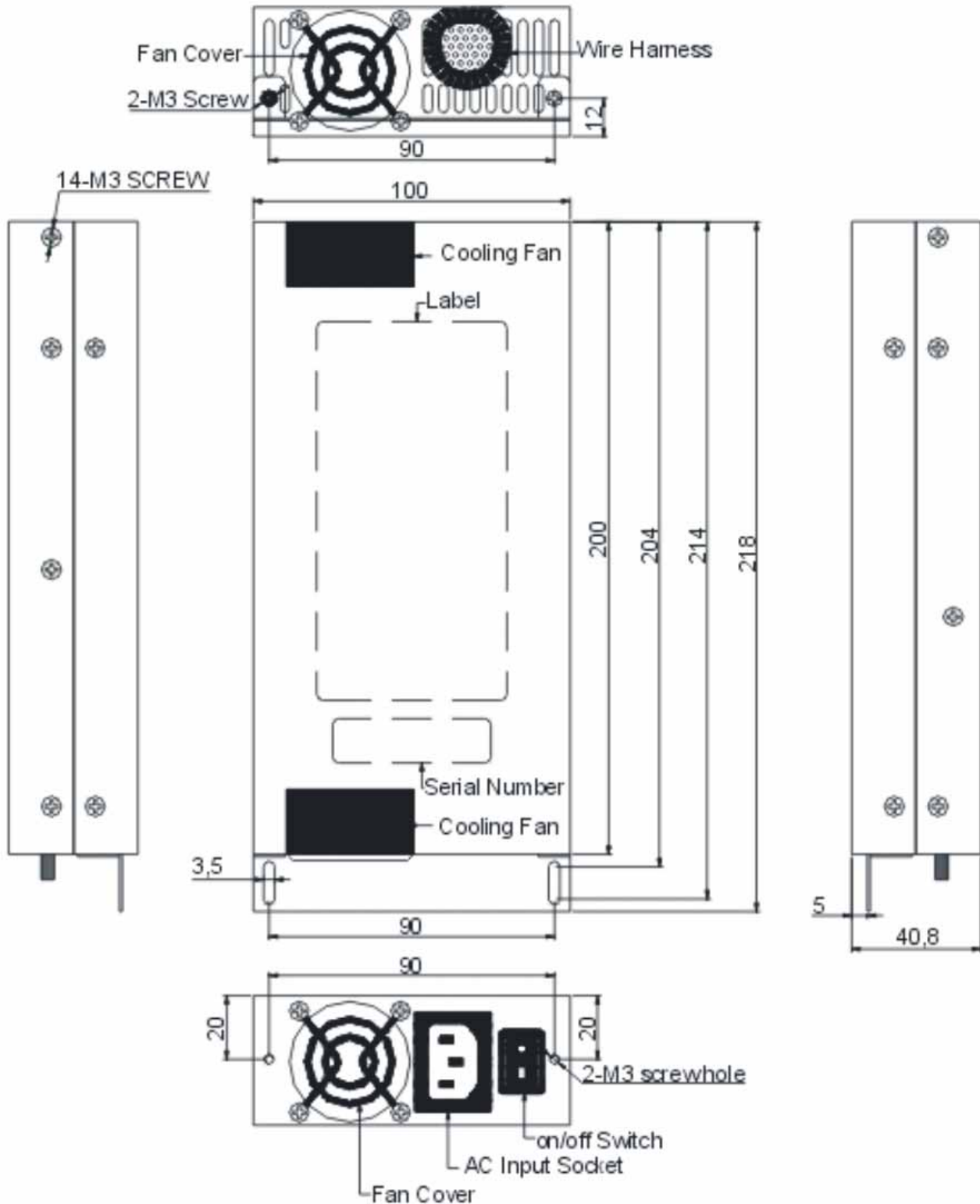
JUIX7300~JUIX7350 Models List:

Model	INPUT		OUTPUT max								Approval
	Vac	Vdc	+5V	+3.3V	5V & 3.3V	+12V	-12V	+5VSB	charge 28V	Total Output	
	V	V	A	A	W	A	A	A	A	W	
JUIX7300	100-240	24	25	21	150W	18	0.8	2	0.5/28V	300	
JUIX7350	100-240	24	25	21	170W	20	0.8	2	0.5/28V	350	
JUIX7400	100-240	24	25	21	190W	22	0.8	2	0.5/28V	400	



meet ATX 12V .Ver.2.01

Mechanical Drawing:

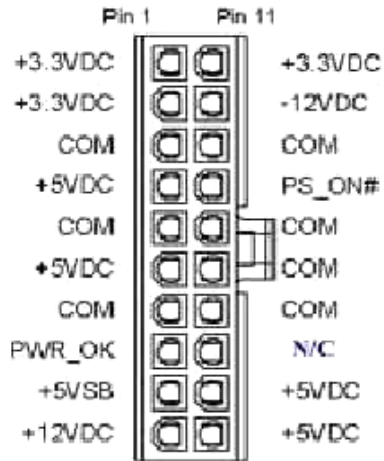




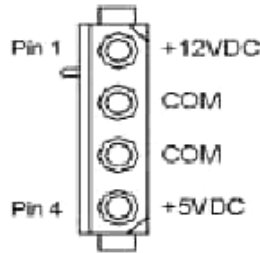
meet ATX 12V .Ver.2.01

Wire Harness:

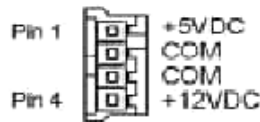
For JUIX7250, 7300, 7350 :



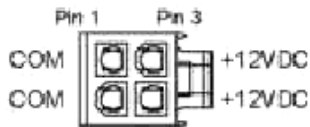
Main Power Connector



Peripheral Power Connector



Floppy Drive Power Connector



+12V Power Connector

Wiring Length :

P1 main power connector : 300mm

P2 + P3 peripheral power connectors L4 : 300mm + 140mm

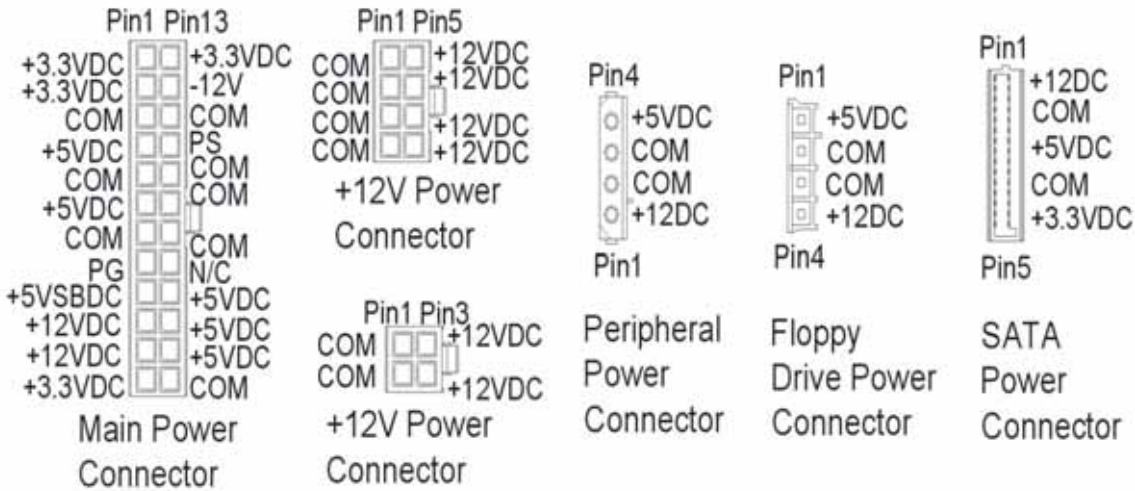
P4 + P5 peripheral power connector L4 +

Floppy drive power connector S4 : 300mm + 140mm

P6 12V power connector : 300mm



For JUIX7400 :



Wiring Length :

P1 main power connector 24 pins: 500mm

P2 + P3 peripheral power connectors L4 : 500mm + 140mm

P4 + P5 peripheral power connectors L4 : 500mm + 140mm

P6 + P7 peripheral power connector L4 +

Floppy drive power connector S4 : 500mm + 140mm

P8 12V-8 power connector : 500mm

P9 12V-4 power connector : 500mm

P10 SATA- power connector : 500mm