

Model:

JDX9160
JDX9200
JDX9250
JDX9300



DC DC ATX 12V TYPE

Specification:

- DC input Voltage: - 48V (-72V ~ -36V)
- Isolated primary and Secondary
- Typical efficiency: $\geq 70\%$ (Fully Loaded @ -48Vdc, 25°C)
- Low ripple & noise
- Short circuit protection
- Over load and Voltage protection
- Line regulation: $\pm 1\%$ typical
- Load regulation: $\pm 5\%$ typical
- Operating/storage Temp. 0°C~45°C
- P/G signal delay: Power on 100~500mS; off > 1mS.
- MTBF: 100K Hrs typical, at 25°C
- EMC: Regulation CE EMC, FCC part 15 class A
- Safety Meet: UL, c-UL, CE, LVD
- Dimension: W81.5 x D150 x H40.8 mm (1.6" x 3.2" x 6")
- Cooling: 40 x 40 (mm) Fan

JDX9160 ~ JDX9300 Models List:

Size/Cooling	Model	Input	Output min / max (A)						Total Output
		VDC	+5V	+3.3V	+5V&3.3V	+12V	-12V	+5VSB	
81.5x40.5x150mm 3.2" x 1.6" x 6" 1Fan	JDX9160	-72~-36	0.5/14	0.3/14	80W	0.3/12	0/0.5	0/2	160W
	JDX9200	-72~-36	0.5/16	0.3/14	80W	0.3/14	0/0.5	0/2	200W
	JDX9250	-72~-36	0.5/16	0.3/14	90W	0.3/16	0/0.5	0/2	250W
	JDX9300	-72~-36	0.5/18	0.3/18	100W	0.3/18	0/0.5	0/2	300W

Model:

JDX9160

JDX9200

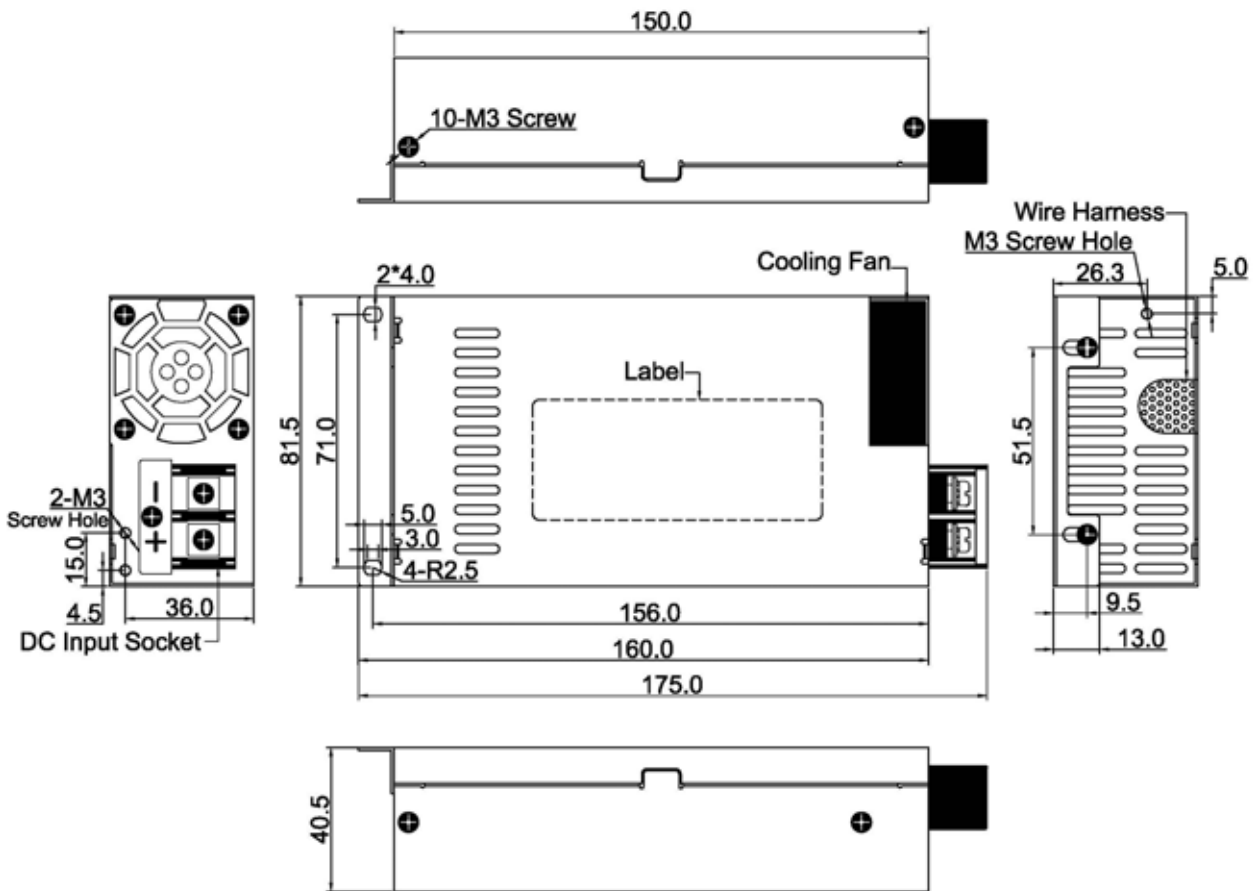
JDX9250

JDX9300



DC DC ATX 12V TYPE

Mechanical Drawing:



Model:

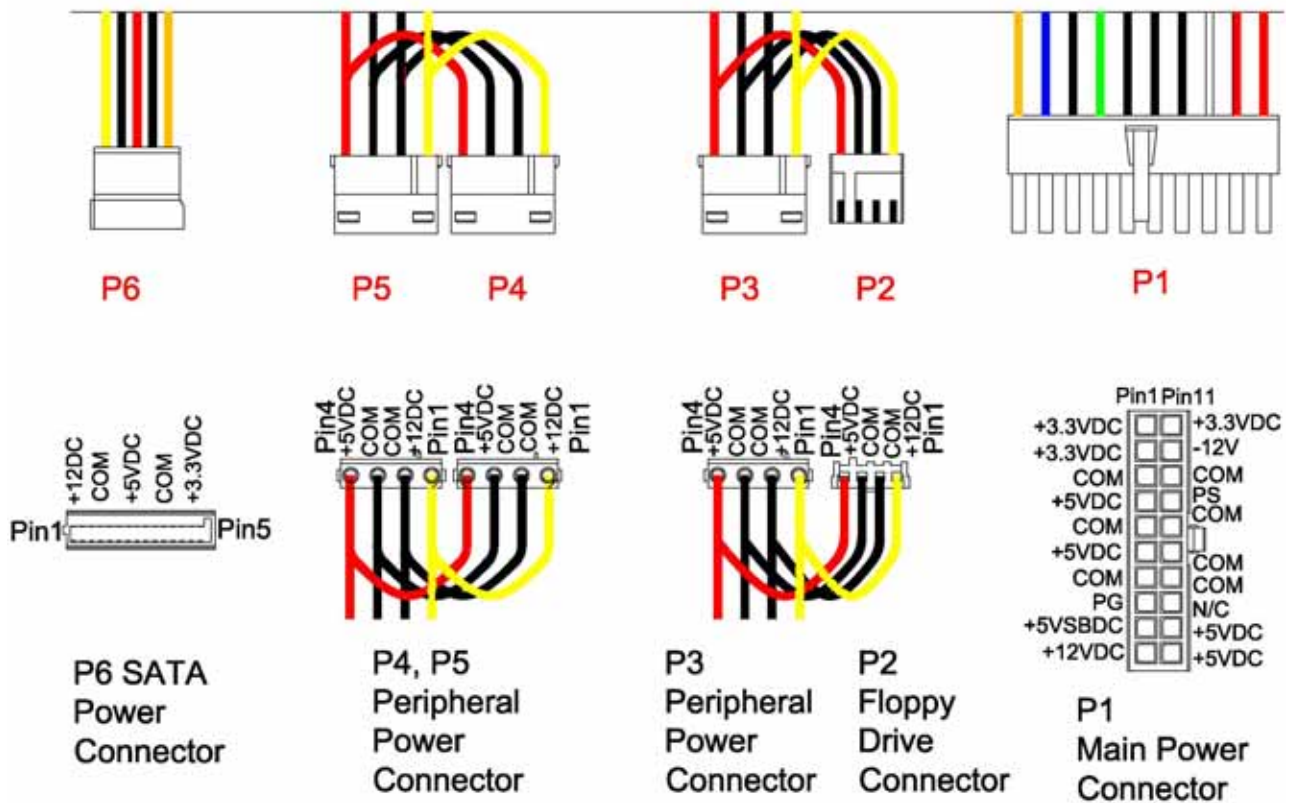
JDX9160
JDX9200
JDX9250
JDX9300



DC DC ATX 12V TYPE

Output:

Wire Harness: and 4pin plug.



Inlet Socket:

40A/100V screws with washers.

Hole diameter D=4mm.