



DC DC ATX12V TYPE

Specification:

- DC input Voltage: 24V or 28V (18V ~ 36V)
- Typical efficiency: $\geq 80\%$ (Fully Loaded @ 24Vdc, 25°C)
- Low ripple & noise
- Short circuit protection
- Over load and Voltage protection
- Line regulation: $\pm 1\%$ typical
- Load regulation: $\pm 5\%$ typical
- Operating/storage Temp. 0°C ~ 45°C / -40°C ~ 50°C
- P/G signal delay: Power on 100~500mS; off > 1 mS.
- MTBF: 100K Hrs typical, at 25°C
- EMC: regulation EN55022 class A
- Dimension: W81.5 x D150 x H40.8 mm (1.6" x 3.2" x 6")
- Cooling: 40 x 40 (mm) Fan
- Weight: 0.9kg

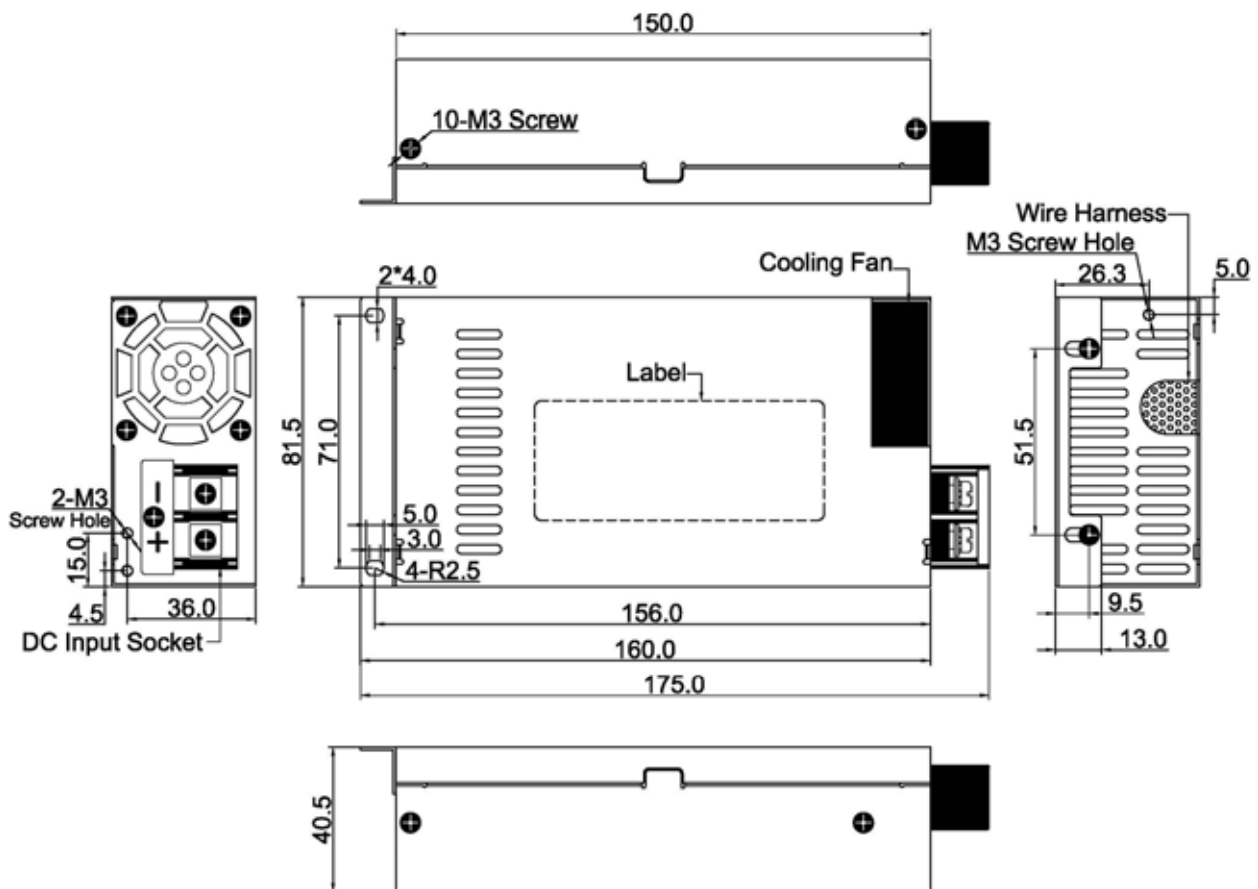
Output :

Size/Cooling	Model	Input	Output max						Total Output
		VDC	+5V	+3.3V	+5V&3.3V W	+12V	-12V	+5VSB	
81.5x40.5x150mm 3.2" x 1.6" x 6" 1Fan	JDX7160	18~36V	15A	14A	76W	12A	0.5A	2A	160W
	JDX7200	18~36V	20A	14A	100W	14A	0.5A	2A	200W
	JDX7250	18~36V	22A	14A	125W	16A	0.5A	2A	250W
	JDX7300	18~36V	24A	14A	140W	18A	0.5A	2A	300W



DC DC ATX12V TYPE

Mechanical Drawing:



Inlet Socket:

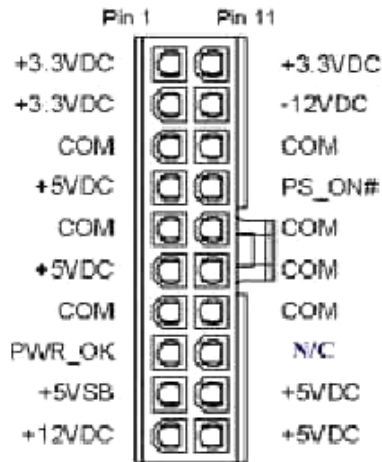
40A/100V screws with washers.

Hole diameter D=4mm.

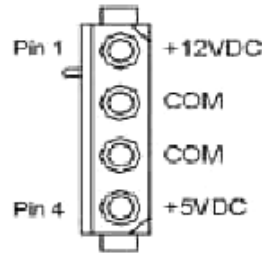


DC DC ATX12V TYPE

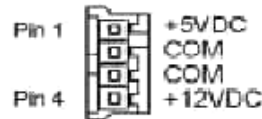
Wire Connectors:



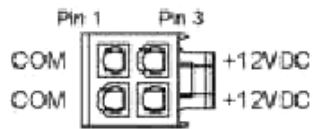
Main Power Connector



Peripheral Power Connector



Floppy Drive Power Connector



+12V Power Connector

Wiring Length :

P1 main power connector : 300mm

P2 + P3 peripheral power connectors L4 : 300mm + 140mm

P4 + P5 peripheral power connector L4 +

Floppy drive power connector S4 : 300mm + 140mm

P6 12V power connector : 300mm