



DC/DC ATX 12V TYPE

Specification:

- DC input Voltage:12V~24V (9V ~ 32V)
- Isolated primary and Secondary
- Typical efficiency: $\geq 75\%$ (Fully Loaded @ 12Vdc, 25°C)
- Low ripple & noise
- Short circuit protection
- Over load and Voltage protection
- Line regulation: $\pm 1\%$ typical
- Load regulation: $\pm 5\%$ typical
- Operating/storage Temp. 0°C~45°C / -40°C~ 50°C
- P/G signal delay: Power on 100~500mS; off > 1mS.
- MTBF:100K Hrs typical, at 25°C
- EMC: Regulation EN55022 class A
- Dimension: W81.5 x H40.8 x D150 mm (3.2" x 1.6" x 6")
- Cooling: 40 x 40 (mm) Fan
- Weight: 0.9Kg

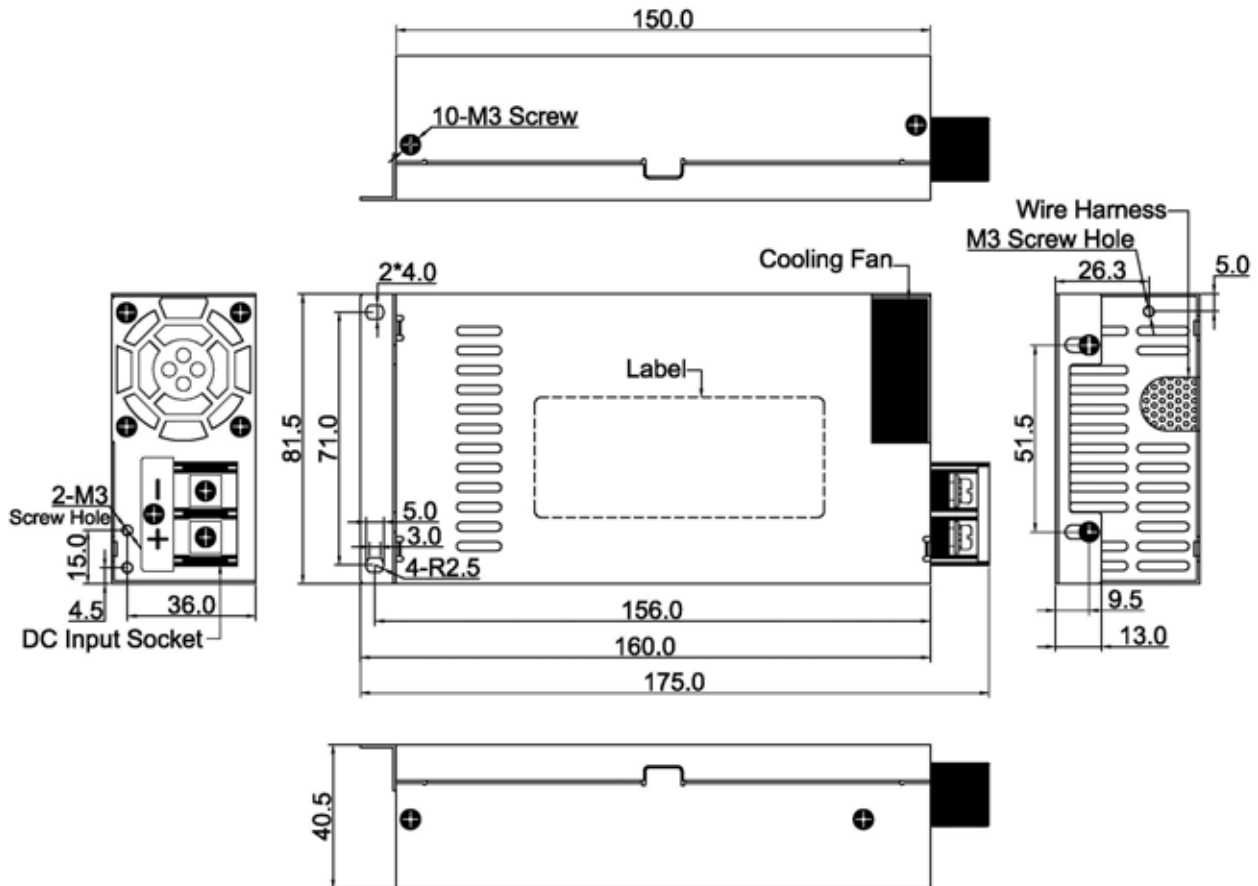
Output:

Model	Input	Output max						Total Output
	VDC	+5V	+3.3V	+5V&3.3V W	+12V	-12V	+5VSB	
JDX57160	12V~24	15A	14A	76W	14A	0.5A	2A	160W
JDX57200	12V~24	20A	14A	100W	14A	0.5A	2A	200W



DC/DC ATX 12V TYPE

Mechanical Drawing:



Inlet Socket:

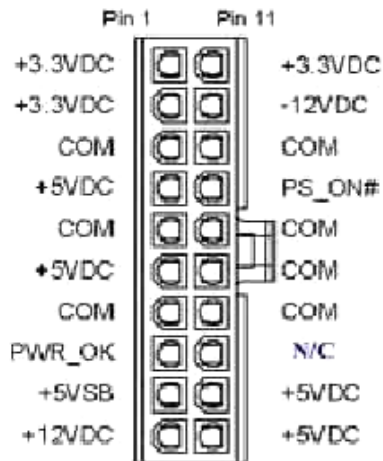
40A/100V M4 screws with washers.

Hole diameter D=4mm.

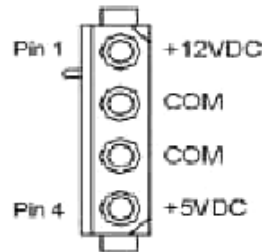


DC/DC ATX 12V TYPE

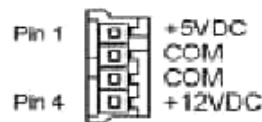
Wire Connectors:



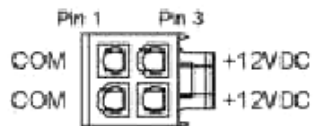
Main Power Connector



Peripheral Power Connector



Floppy Drive Power Connector



+12V Power Connector

Wiring Length :

P1 main power connector : 300mm

P2 + P3 peripheral power connectors L4 : 300mm + 140mm

P4 + P5 peripheral power connector L4 +

Floppy drive power connector S4 : 300mm + 140mm

P6 12V power connector : 300mm