



DC/DC ATX 12V TYPE

Specification:

- DC input Voltage: 12V (9V ~ 18V)
- Typical efficiency: $\geq 80\%$ (Fully Loaded @ 12Vdc, 25°C)
- Low ripple & noise
- Short circuit protection
- Over load and Voltage protection
- Line regulation: $\pm 1\%$ typical
- Load regulation: $\pm 5\%$ typical
- Operating/storage Temp. 0°C~45°C / -40°C~ 50°C
- P/G signal delay: Power on 100~500mS; off > 1mS.
- MTBF: 100K Hrs typical, at 25°C
- EMC: regulation EN55022 class A
- Dimension: W81.5 x H40.8 x D150 mm (3.2" x 1.6" x 6")
- Cooling: 40 x 40 (mm) Fan
LCD Monitor support optional.
- Weight: 0.9kg

Output:

Size/Cooling	Model	Input	Output max						Total Output
		VDC	+5V	+3.3V	+5V&3.3V W	+12V	-12V	+5VSB	
1.5x40.5x150mm 3.2" x 1.6" x 6" 1Fan	JDX5120	12V	12A	12A	76W	9A	0.5A	2A	120W
	JDX5160	12V	15A	14A	90W	12A	0.5A	2A	160W
	JDX5200	12V	20A	14A	100W	14A	0.5A	2A	200W
	JDX5250	12V	22A	14A	130W	16A	0.5A	2A	250W

Model:

JDX5120

JDX5160

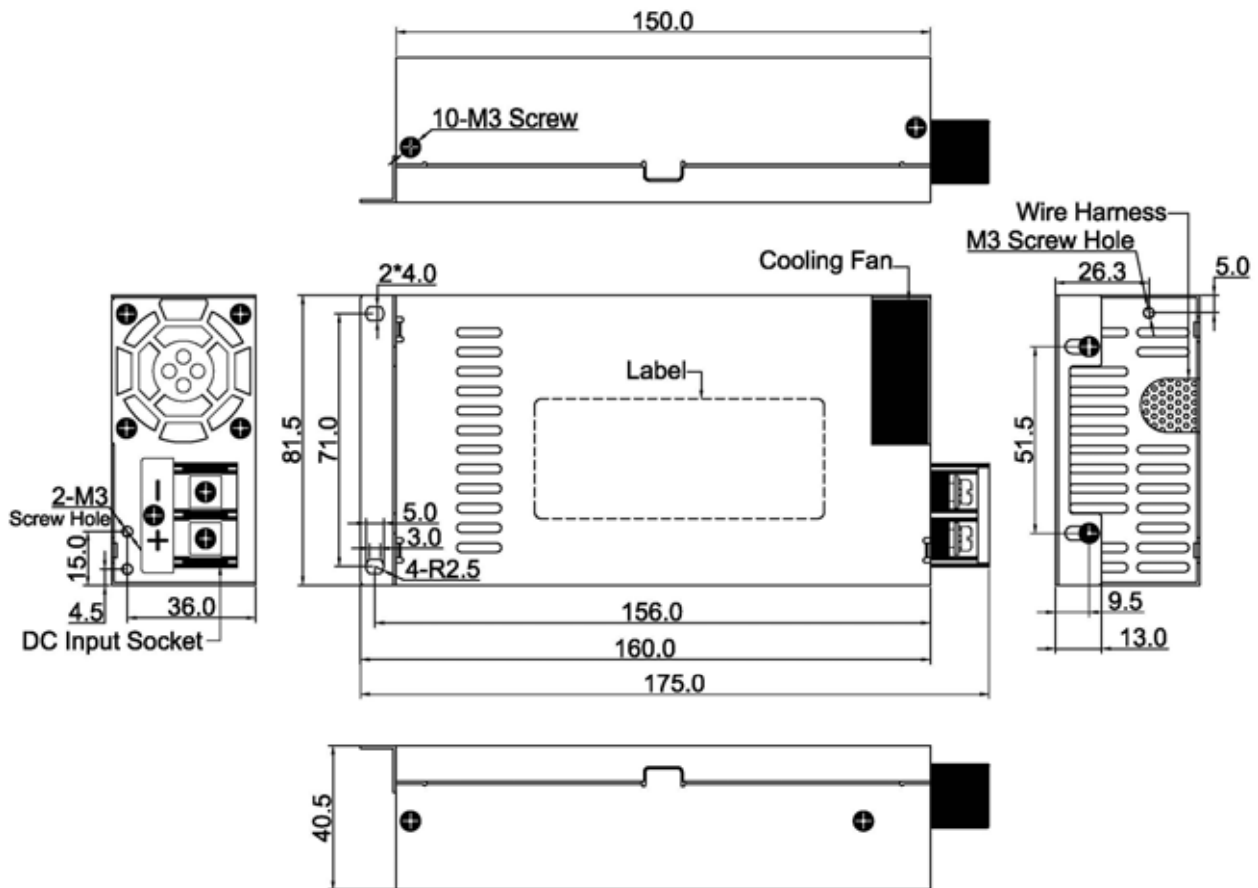
JDX5200

JDX5250



DC/DC ATX 12V TYPE

Mechanical Drawing:



Inlet Socket: 40A/100V screws with washers.

Hole diameter D=4mm.

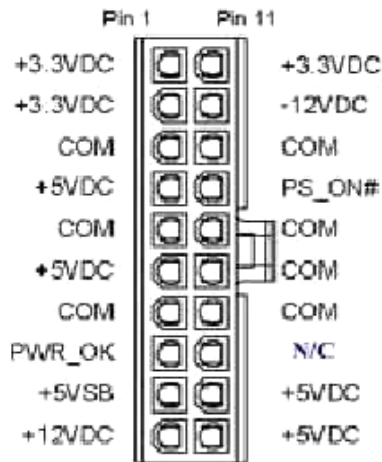
Model:

JDX5120
JDX5160
JDX5200
JDX5250

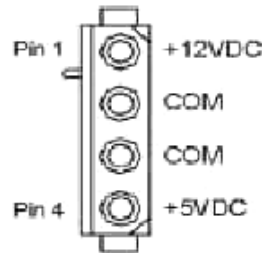


DC/DC ATX 12V TYPE

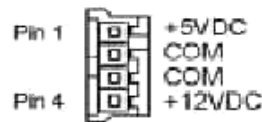
Wire Connectors:



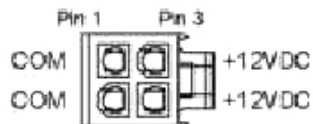
Main Power Connector



Peripheral Power Connector



Floppy Drive Power Connector



+12V Power Connector

Wiring Length :

P1 main power connector : 300mm

P2 + P3 peripheral power connectors L4 : 300mm + 140mm

P4 + P5 peripheral power connector L4 +

Floppy drive power connector S4 : 300mm + 140mm

P6 12V power connector : 300mm