



DC / DC ATX 12V TYPE

Specification:

- DC main input Voltage:-48V (-36V~-54V)
- DC secondary input Voltage: 24Vdc (18V~28V) with inside charger
- Efficiency $\geq 75\%$, typical load@-48Vdc , 25°C
- Low ripple & noise
- Short circuit protection
- Over load and Voltage protection
- Line regulation: $\pm 1\%$ typical
- Load regulation: $\pm 5\%$ typical
- Operating/storage Temp. 0°C~45°C / -40°C~ 65°C
- P/G signal delay: Power on 100~500mS; off > 1mS.
- MTBF:100K Hrs typical, at 25°C
- EMC: Regulation EN55022, FCC part 15 class A
- Dimension: W100 x D200 xH40.6mm for 1U chassis
- Cooling:40 x 40 (mm) Fan x 1

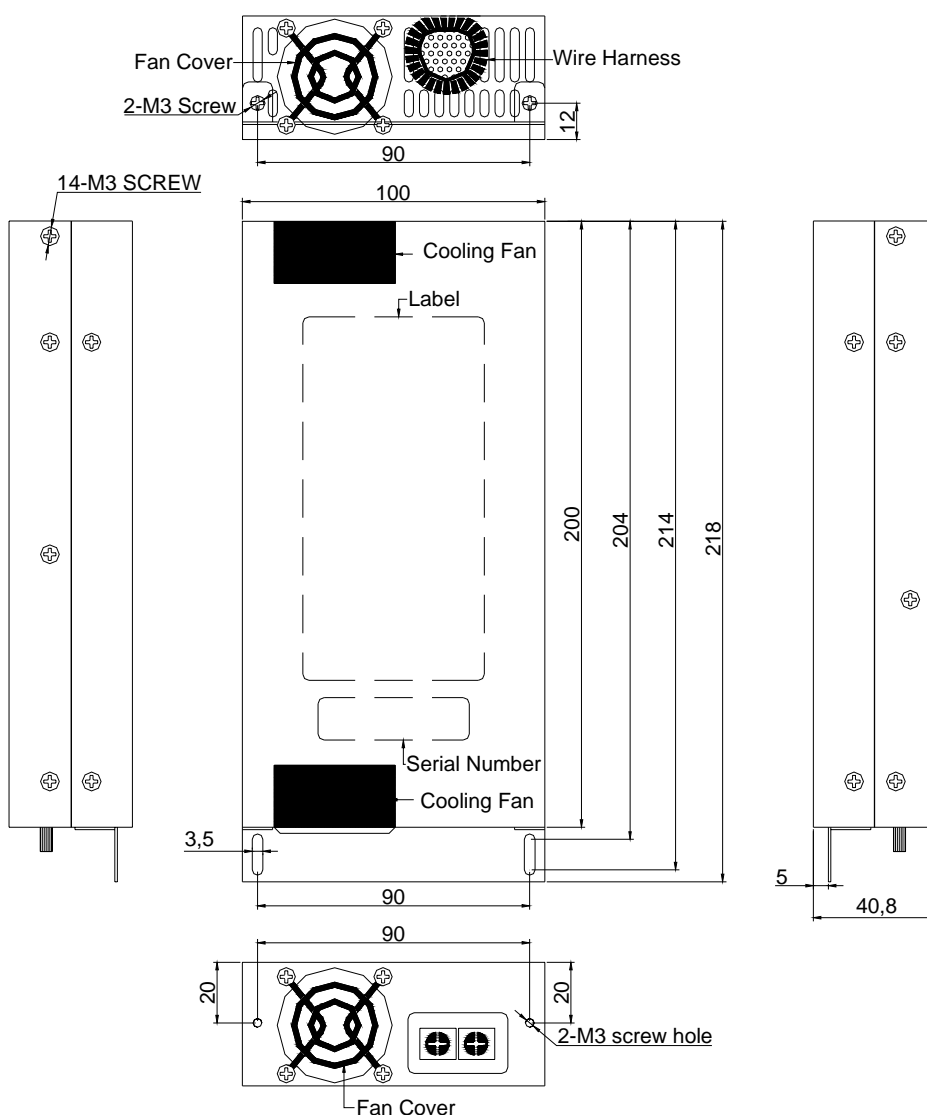
Output :

Model	Input	Output max							Total Output
		+5V	+3.3V	+5V&3.3V	+12V	-12V	+5VSB	+28Vchrg	
JDUIX97160	-36V~-54V	16A	14A	120W	10A	0.3A	1A	0.5A	160W
JDUIX97200	-36V~-54V	16A	14A	120W	14A	0.3A	1A	0.5A	200W



DC / DC ATX 12V TYPE

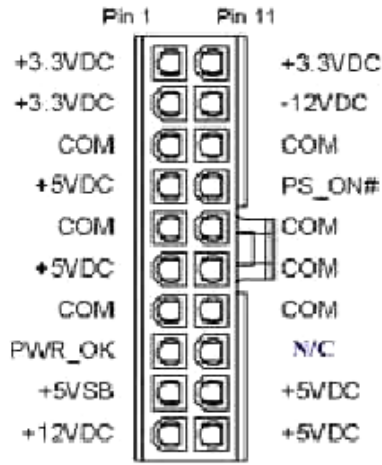
Mechanical Drawing:



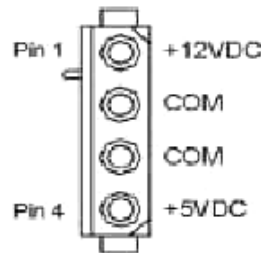


DC / DC ATX 12V TYPE

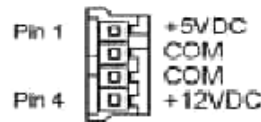
Wiring & Connectors:



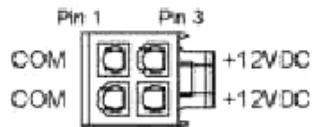
Main Power Connector



Peripheral Power Connector



Floppy Drive Power Connector



+12V Power Connector

Wiring Length :

P1 main power connector : 300mm

P2 + P3 peripheral power connectors L4 : 300mm + 140mm

P4 + P5 peripheral power connector L4 +

floppy drive power connector S4 : 300mm + 140mm

P6 12V power connector : 300mm