



Specification:

- DC input Voltage: +48 (+36V ~ +72V)
- Efficiency $\geq 75\%$ (48Vdc @25°C, Full Load)
- Low ripple & noise
- Short circuit protection
- Over load and Voltage protection
- Line regulation: $\pm 1\%$ typical
- Load regulation: $\pm 5\%$ typical
- Operating/storage Temp. 0°C~45°C / -40°C~ 65°C
- P/G signal delay: Power on 100~500mS; off > 1mS.
- MTBF:100K Hrs typical, at 25°C
- Non-Isolation
- EMC: Regulation EN55022 class A
- Dimension: W150 x H86 x D140 mm Standard P/S II size
- Cooling: 80 x 80 (mm) Fan and 90 x 90 (mm) : dual fans

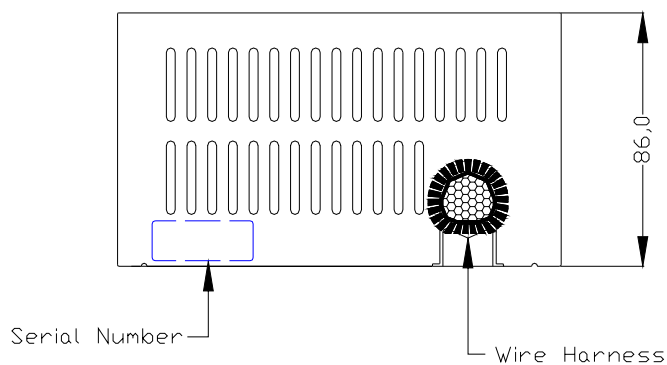
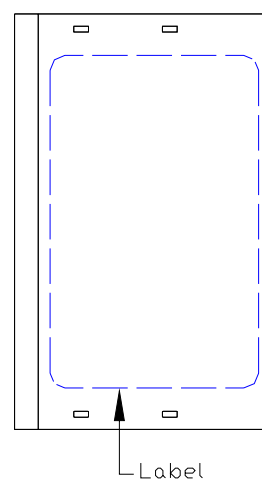
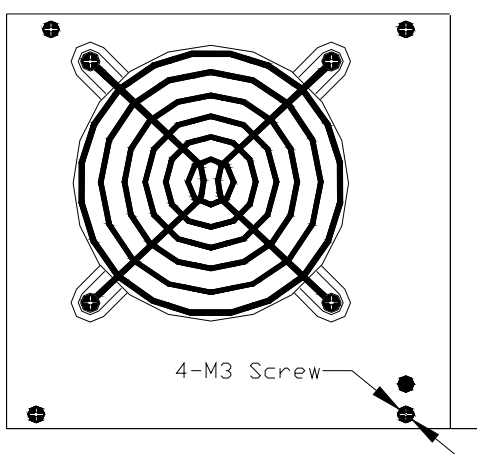
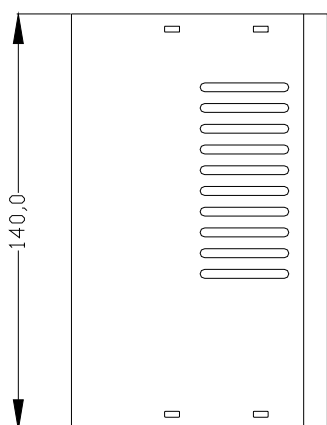
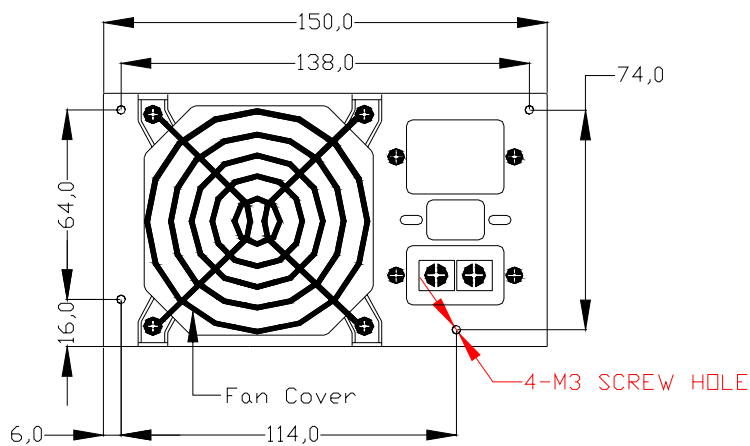
Output :

Model	Input	Output max						Total Output
	VDC	+5V	+3.3V	+5V&3.3V	+12V	-12V	+5VSB	
JDTX8460	+36~+72V	22A	22A	150W	28A	0.8A	2A	460W
JDTX8500	+36~+72V	25A	25A	150W	30A	0.8A	2A	500W
JDTX8550	+36~+72V	27A	27A	200W	32A	0.8A	2A	550W
JDTX8600	+36~+72V	30A	30A	250W	32A	0.8A	2A	600W



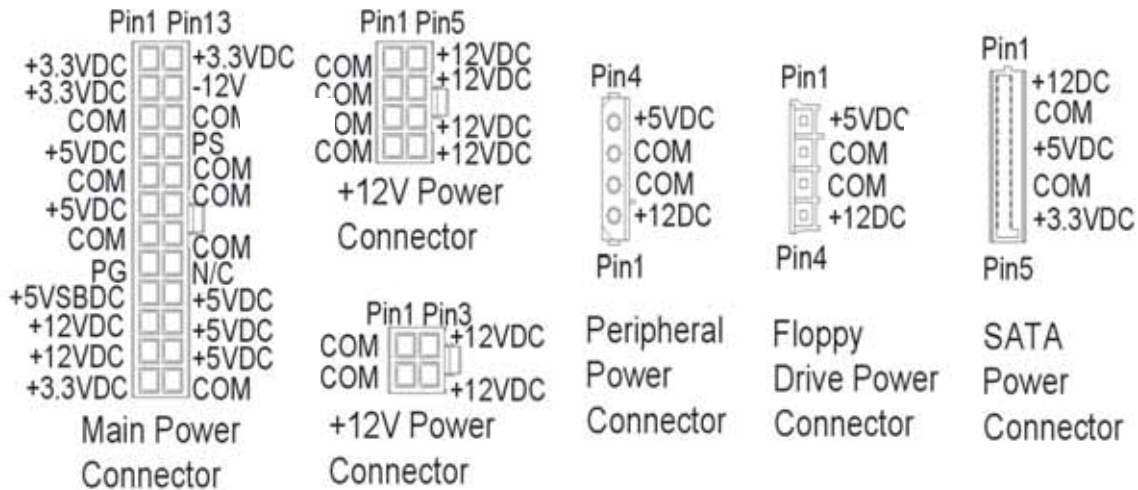
DC / DC ATX 12V TYPE

Mechanical Drawing:





Wire Harness: For JDTX8460 - 8600



Wiring Length :

- P1 main power connector 24 pins: 500mm
- P2 + P3 peripheral power connectors L4 : 500mm + 140mm
- P4 + P5 peripheral power connectors L4 : 500mm + 140mm
- P6 + P7 peripheral power connector L4 + floppy drive power connector S4 : 500mm + 140mm
- P8 12V-8 power connector : 500mm
- P9 12V-4 power connector : 500mm
- P10 SATA- power connector : 500mm