



Specification:

- DC input Voltage: +36V ~ +72V
- Efficiency $\geq 75\%$ (+48Vdc @25°C, Full Load)
- Low ripple & noise
- Short circuit protection
- Over load and Voltage protection
- Line regulation: $\pm 1\%$ typical
- Load regulation: $\pm 5\%$ typical
- Operating/storage Temp. 0°C~50°C / -40°C~ 65°C
- P/G signal delay: Power on 100~500mS; off > 1mS.
- MTBF: 100K Hrs typical, at 25°C
- Non-Isolation
- EMC: Regulation EN55022 class A
- Dimension: W150 x H86 x D140 mm Standard P/S II size
- Cooling: 80 x 80 (mm) Fan

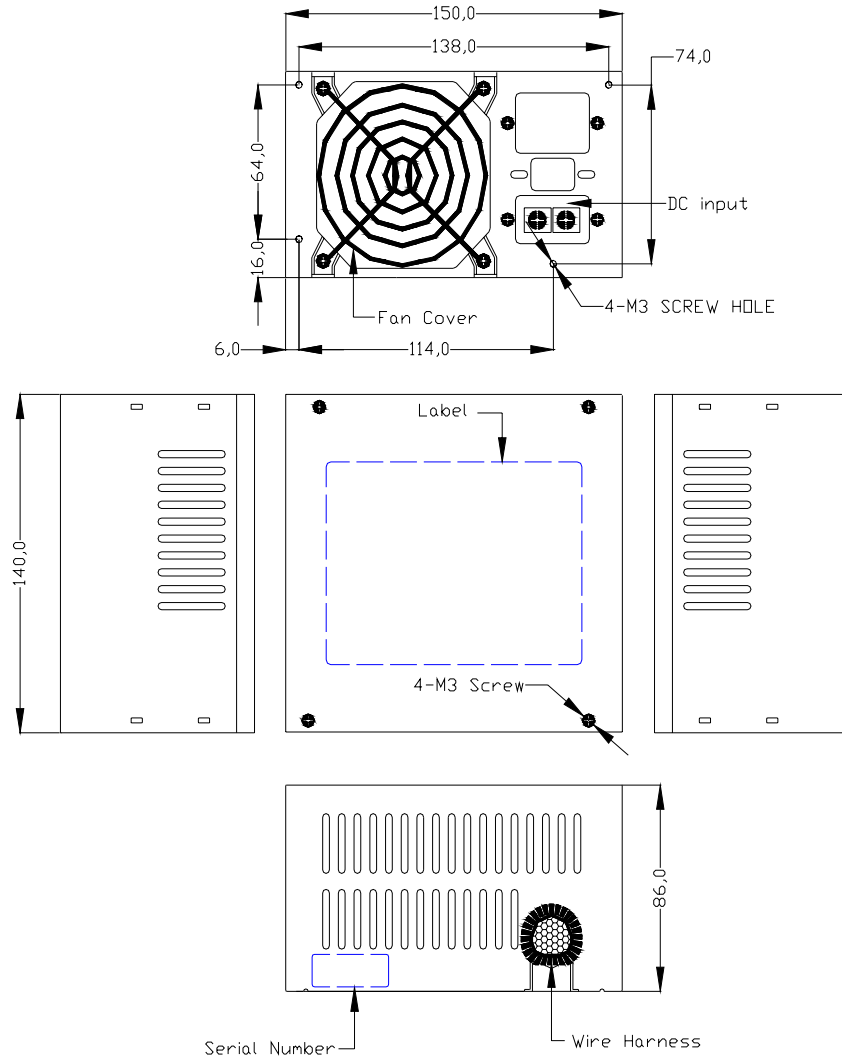
Output:

Model	Input	Output max						Total Output
	VDC	+5V	+3.3V	+5V&3.3V	+12V	-12V	+5VSB	
JDTX8250	+36 ~ +72V	20A	20A	150W	18A	0.8A	2A	250W
JDTX8300	+36 ~ +72V	20A	20A	150W	20A	0.8A	2A	300W
JDTX8350	+32 ~ +72V	20A	20A	150W	23A	0.8A	2A	350W
JDTX8400	+32 ~ +72V	22A	22A	150W	26A	0.8A	2A	400W



DC / DC ATX 12V TYPE

Mechanical Drawing:

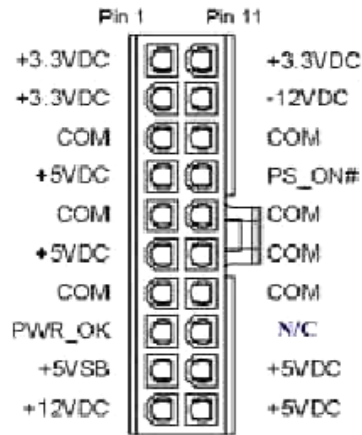




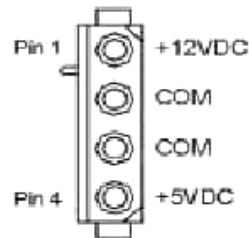
DC / DC ATX 12V TYPE

Wire Harness:

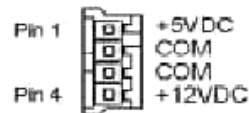
For JDTX8250, 8300, 8350 :



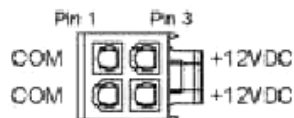
Main Power Connector



Peripheral Power Connector



Floppy Drive Power Connector



+12V Power Connector

Wiring Length :

P1 main power connector : 300mm

P2 + P3 peripheral power connectors L4 : 300mm + 140mm

P4 + P5 peripheral power connector L4 +

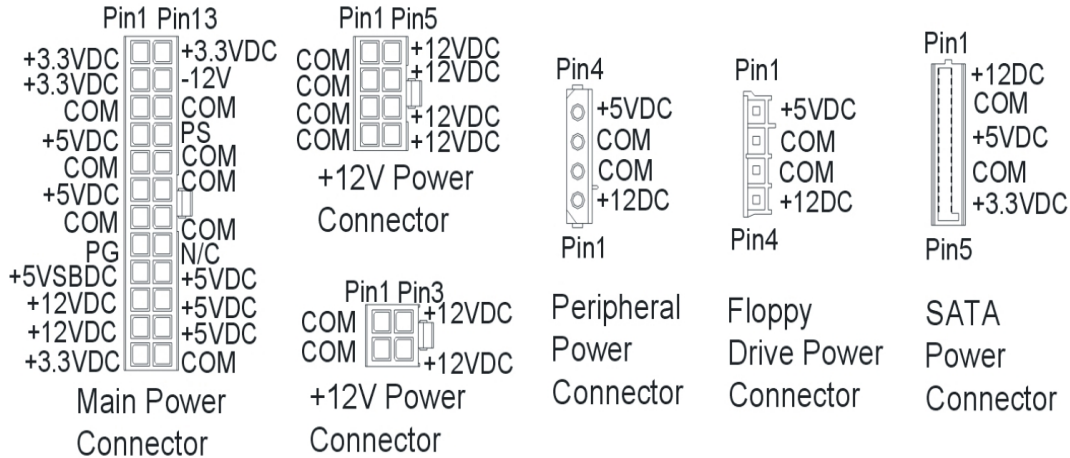
Floppy drive power connector S4 : 300mm + 140mm

P6 12V power connector : 300mm



DC / DC ATX 12V TYPE

For JDTX8400



Wiring Length :

P1 main power connector 24 pins: 500mm

P2 + P3 peripheral power connectors L4 : 500mm + 140mm

P4 + P5 peripheral power connectors L4 : 500mm + 140mm

P6 + P7 peripheral power connector L4 +

floppy drive power connector S4 : 500mm + 140mm

P8 12V-8 power connector : 500mm

P9 12V-4 power connector : 500mm

P10 SATA- power connector : 500mm