



DC / DC ATX 12V TYPE

Specification:

CE certified

- DC input Voltage: **24V or 28V** (18V~36V)
- Efficiency $\geq 80\%$ (24Vdc @25°C, Full Load)
- Low ripple & noise
- Short circuit protection
- Over load and Voltage protection
- Line regulation: $\pm 1\%$ typical
- Load regulation: $\pm 5\%$ typical
- Operating/storage Temp. 0°C~50°C / -40°C~ 65°C
- P/G signal delay: Power on 100~500mS; off > 1mS.
- MTBF: 100K Hrs typical, at 25°C
- EMC: Regulation EN55022 class B, EN55024
- Dimension: W150 x H86 x D140 mm Standard P/S II size
- Cooling: 80 x 80 (mm) and 90 x 90 (mm) dual fans
- Weight: 2.08kgs

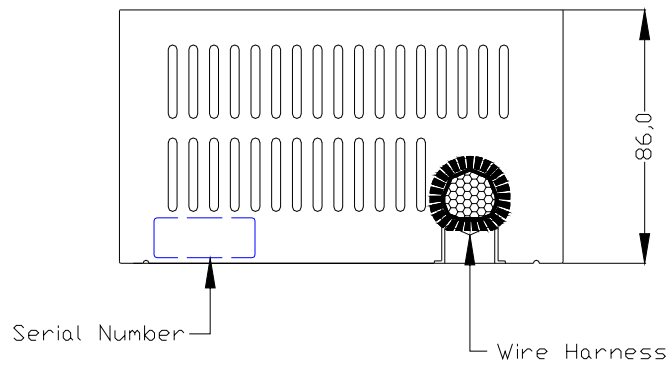
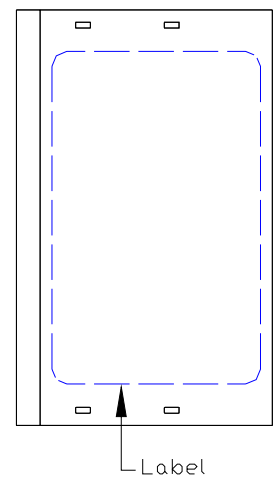
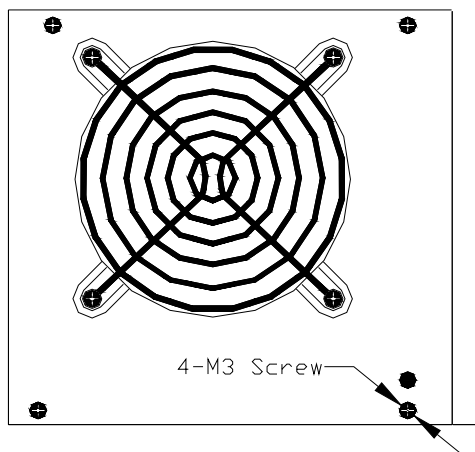
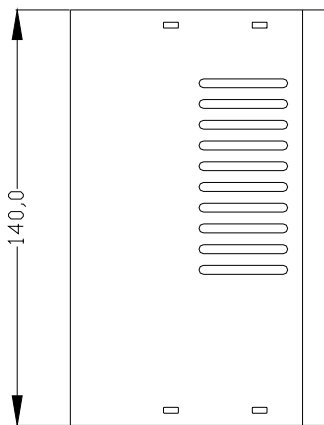
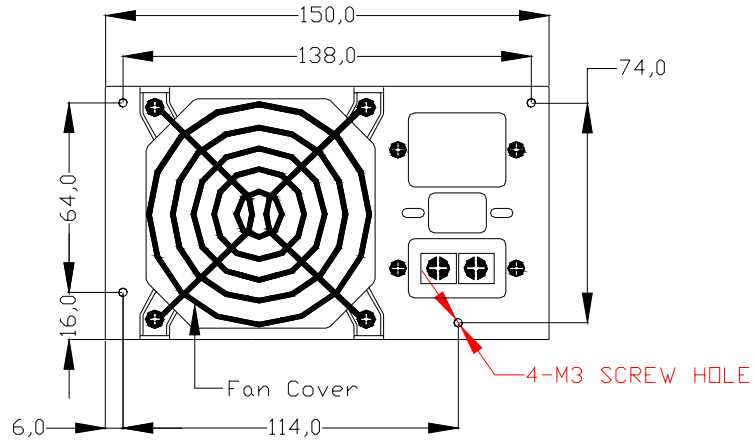
Output List:

Model	Input	Output min/max (A)						Total Output
	VDC	+5V	+3.3V	+5V&3.3V	+12V	-12V	+5VSB	
JDTX7460	18~36V	0.2/25	0.2/25	150W	0.2/27	0/0.8	0/2	460W
JDTX7500	18~36V	0.2/25	0.2/25	150W	0.2/35	0/0.8	0/2	500W
JDTX7550	18~36V	0.2/25	0.2/25	200W	0.5/40	0/0.8	0/2	550W
JDTX7600	18~36V	0.5/30	0.5/25	200W	0.5/40	0/0.8	0/2	600W
JDTX7700	18~36V	0.5/25	0.5/25	200W	1.0/50	0/0.8	0/2	700W
JDTX7750	18~36V	1.0/30	1.5/36	200W	1.0/60	0/0.8	0/2	750W



DC / DC ATX 12V TYPE

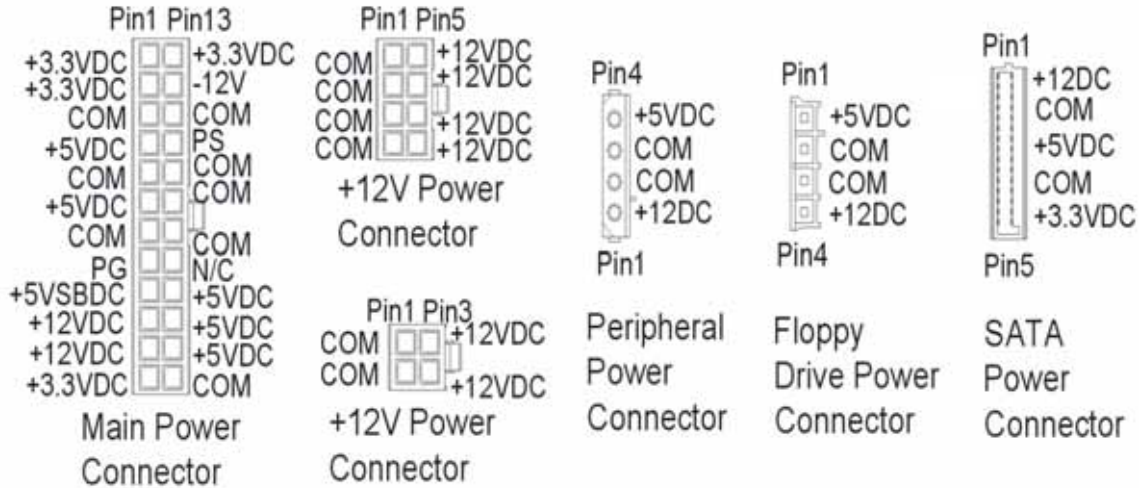
Mechanical Drawing:





DC / DC ATX 12V TYPE

Wire Harness:



Wiring Length :

P1 main power connector 24 pins: 500mm

P2 + P3 peripheral power connectors L4 : 500mm + 140mm

P4 + P5 peripheral power connectors L4 : 500mm + 140mm

P6 + P7 peripheral power connector L4 +

floppy drive power connector S4 : 500mm + 140mm

P8 12V-8 power connector : 500mm

P9 12V-4 power connector : 500mm

P10 SATA- power connector : 500mm