



Specification:

CE certified

- DC input Voltage: **24V** or **28V** (18V~36V)
- DC efficiency input typical: $\geq 80\%$ (24Vdc @25°C, typical load)
- Low ripple & noise
- Short circuit protection
- Over load and Voltage protection
- Line regulation: $\pm 1\%$ typical
- Load regulation: $\pm 5\%$ typical
- Operating/storage Temp. 0°C~50°C / -40°C~ 65°C
- P/G signal delay: Power on 100~500mS; off > 1mS.
- MTBF: 100K Hrs typical, at 25°C
- EMC: Regulation EN55022 class B & EN55024
- Dimension: W150 x H86 x D140 mm Standard P/S II size
- Cooling: 80 x 80 (mm) Fan
- Weight: 1.98kgs

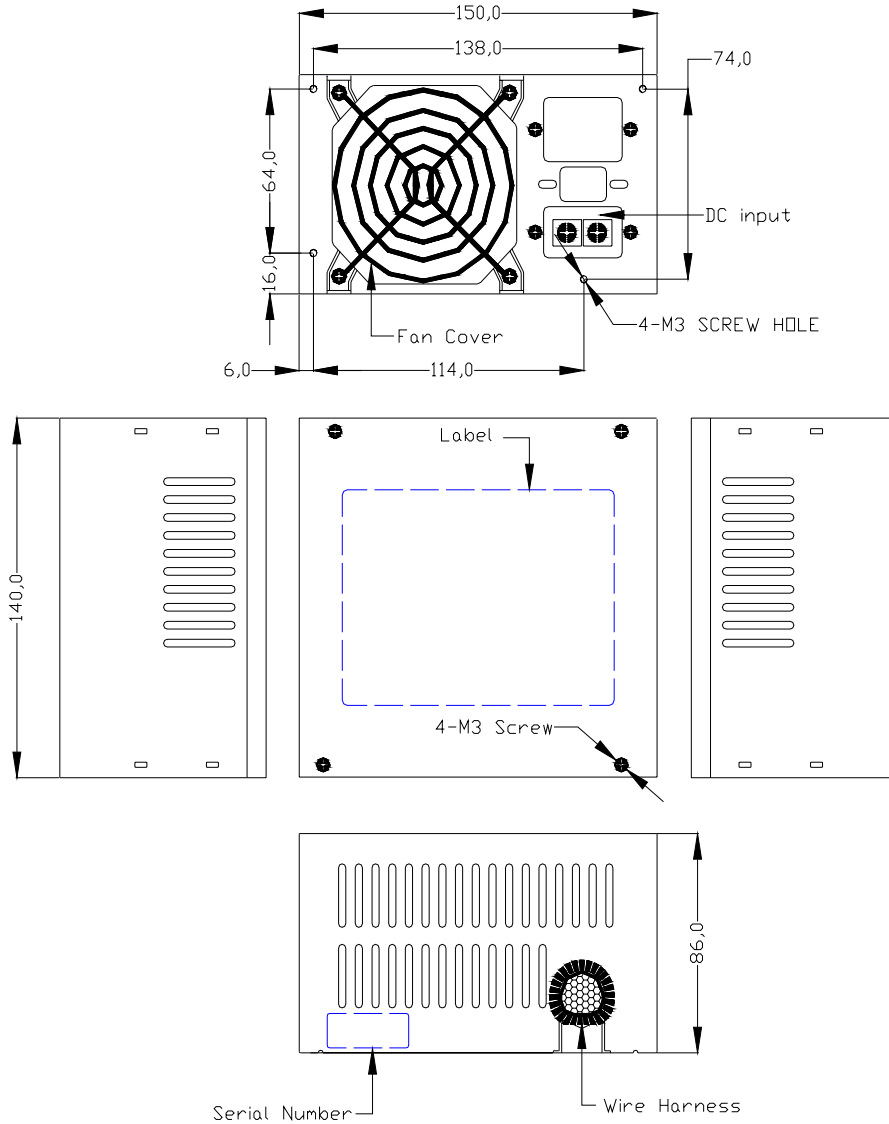
Output :

Model	Input	Output min/max (A)						Total Output
	VDC	+5V	+3.3V	+5V&3.3V	+12V	-12V	+5VSB	
JDTX7250	18~36V	0.2/20	0.2/20	150W	0.2/13	0/0.8	0/2	250W
JDTX7300	18~36V	0.2/20	0.2/20	150W	0.2/15	0/0.8	0/2	300W
JDTX7350	18~36V	0.2/20	0.2/20	150W	0.2/18	0/0.8	0/2	350W
JDTX7400	18~36V	0.2/22	0.2/22	150W	0.2/22	0/0.8	0/2	400W



DC / DC ATX 12V TYPE

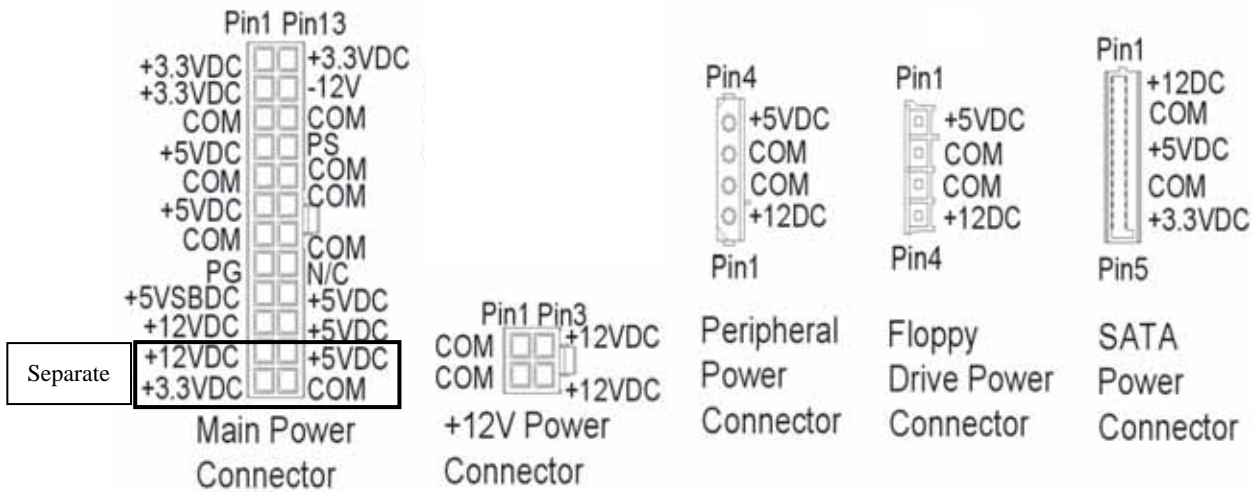
Mechanical Drawing:





DC / DC ATX 12V TYPE

Wire Harness:



Wiring Length :

- P1 main power connector 24 pins: 350mm
- P2 + P3 peripheral power connectors L4 : 350mm + 140mm
- P4 + P5 peripheral power connectors L4 : 350mm + 140mm
- P6 + P7 peripheral power connector L4 + Floppy drive power connector S4 350mm + 140mm
- P8 12V-4 power connector : 350mm
- P9 SATA- power connector : 350mm