



DC / DC ATX 12V TYPE

Specification:

- DC input Voltage:12V (9~18V)
- Efficiency input typical: $\geq 80\%$ typical Full Loading 25°C @ 12Vdc
- Low ripple & noise
- Short circuit protection
- Over load and Voltage protection
- Line regulation: $\pm 1\%$ typical
- Load regulation: $\pm 5\%$ typical
- Operating/storage Temp. 0°C~50°C / -40°C~ 65°C
- P/G signal delay: Power on 100~500mS; off > 1mS.
- MTBF:100K Hrs typical, at 25°C
- EMC: Regulation EN55022 class B
- Dimension: W150 x H86 x D140 mm (Standard P/S II size)
- Cooling: 80 x 80 (mm) Fan

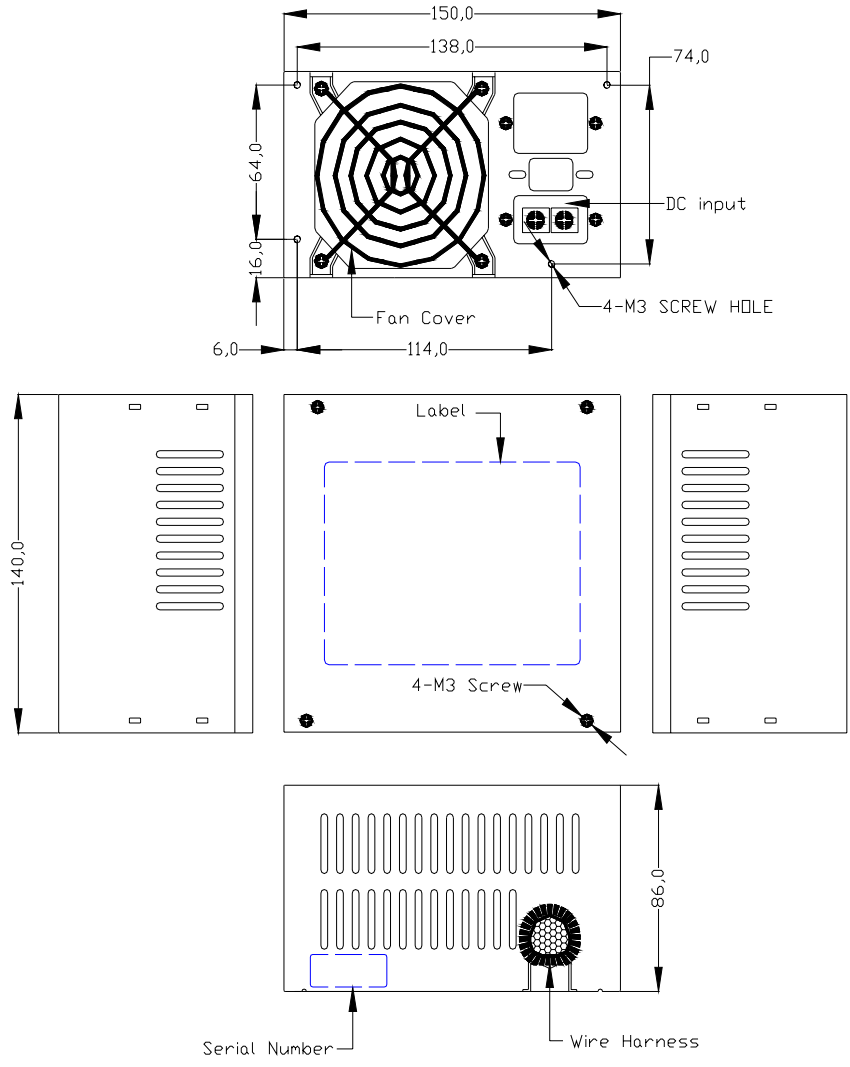
Output :

Model	Input	Output max						Total Output
	VDC	+5V	+3.3V	+5V&3.3V	+12V	-12V	+5VSB	
JDTX5160	9~18V	15A	14A	90W	12A	0.8A	2A	160W
JDTX5200	9~18V	20A	14A	100W	14A	0.8A	2A	200W
JDTX5250	9~18V	20A	20A	150W	18A	0.8A	2A	250W
JDTX5300	9~18V	20A	20A	150W	20A	0.8A	2A	300W
JDTX5350	9~18V	20A	20A	150W	23A	0.8A	2A	350W



DC / DC ATX 12V TYPE

Mechanical Drawing:

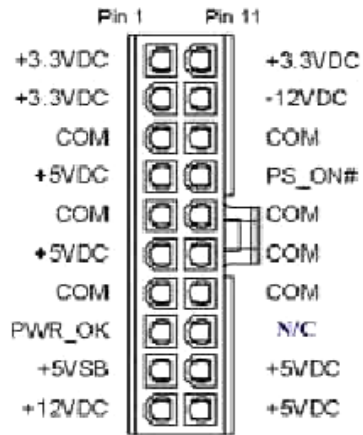




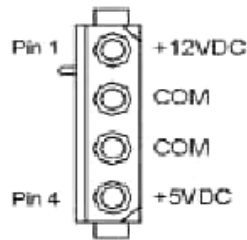
DC / DC ATX 12V TYPE

Wire Harness:

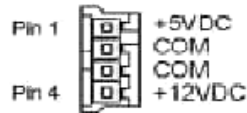
For JDTX5160, 5200, 5250 ,5300, 5350



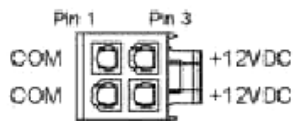
Main Power Connector



Peripheral Power Connector



Floppy Drive Power Connector



+12V Power Connector

Wiring Length :

P1 main power connector : 300mm

P2 + P3 peripheral power connectors L4 : 300mm + 140mm

P4 + P5 peripheral power connector L4 +

Floppy drive power connector S4 : 300mm + 140mm

P6 12V power connector : 300mm