





## Mechanical Drawing:

**Dimension :** W55 x H38 x L160 mm

W2.2" x H1.60" x L 6.4"

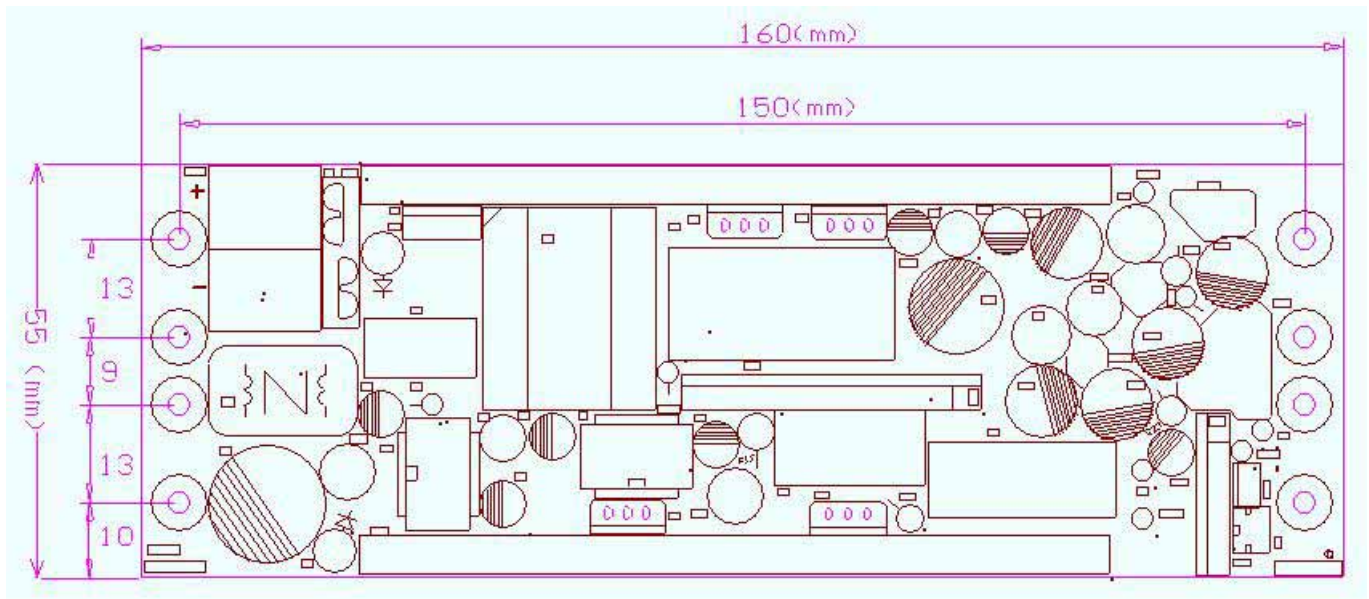
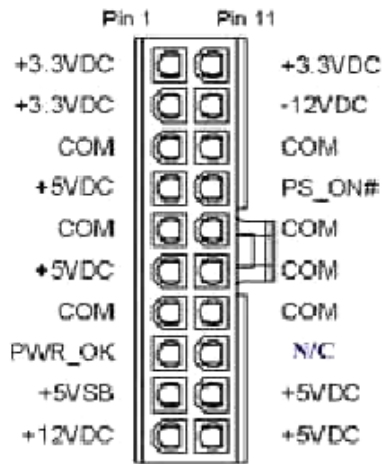


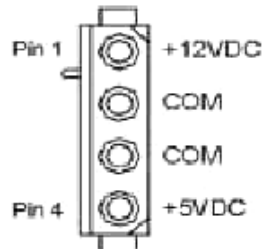
Fig 1



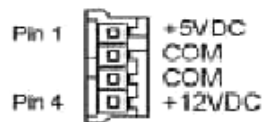
**Wire Connectors:**



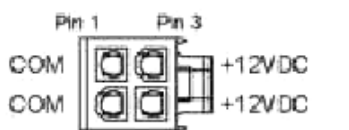
**Main Power Connector**



**Peripheral Power Connector**



**Floppy Drive Power Connector**



**+12V Power Connector**

(Fig 2).

**Wiring Length :**

P1 main power connector 20pins : 300mm

P2 + P3 peripheral power connectors L4 : 300mm + 140mm

P4 + P5 peripheral power connector L4 +

Floppy drive power connector S4 : 300mm + 140mm

P6 12V power connector : 300mm