



DC / DC ATX 12V & EPS 12V TYPE

Specification:

- DC input Voltage: **24V or 28V** (18V~36V)
- Input Current 28A at 24V @ 25°C
- Input Current 26A at 28V @ 25°C
- Efficiency $\geq 75\%$, typical load@24Vdc, 25°C
- Low ripple & noise
- Short circuit protection
- Over load and Voltage protection
- Line regulation: $\pm 1\%$ typical
- Load regulation: $\pm 5\%$ typical
- Operating/storage Temp. 0°C~45°C / -40°C~ 65°C
- P/G signal delay: Power on 100~500mS; off > 1mS.
- MTBF: 100K Hrs typical, at 25°C
- EMC: Regulation CE EMC, FCC part 15 class A
- Dimension: W100 x D200 x H40.6mm for 1U chassis
- Cooling: 40 x 40 (mm) Fan x 2
- Weight: 1.38kgs

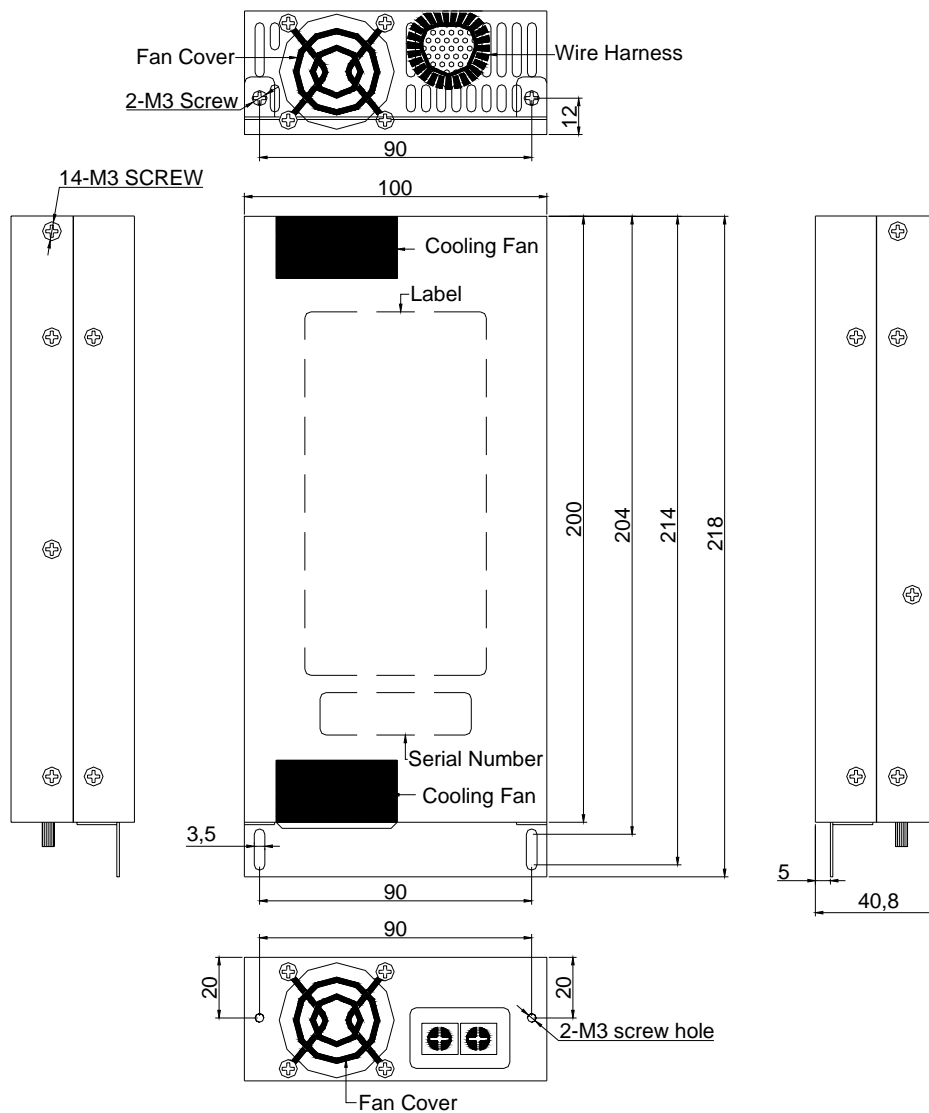
Output Specification:

Output Voltage	+5V	+3.3V	+12V	-12V	+5VSB
Min/Max (A)	0.5/25A	0.5/22A	0.5/27A	0/0.8A	0/2A
Line-Reg.	+ -1%	+ -1%	+ -1%	+ -2%	+ -1%
Load-Reg.	+ -5%	+ -5%	+ -5%	+ -10%	+ -5%
Ripple & Noise	60mV	60mV	120mV	200mV	60mV
	160W				
Total output	400W				



DC / DC ATX 12V & EPS 12V TYPE

Mechanical Drawing:

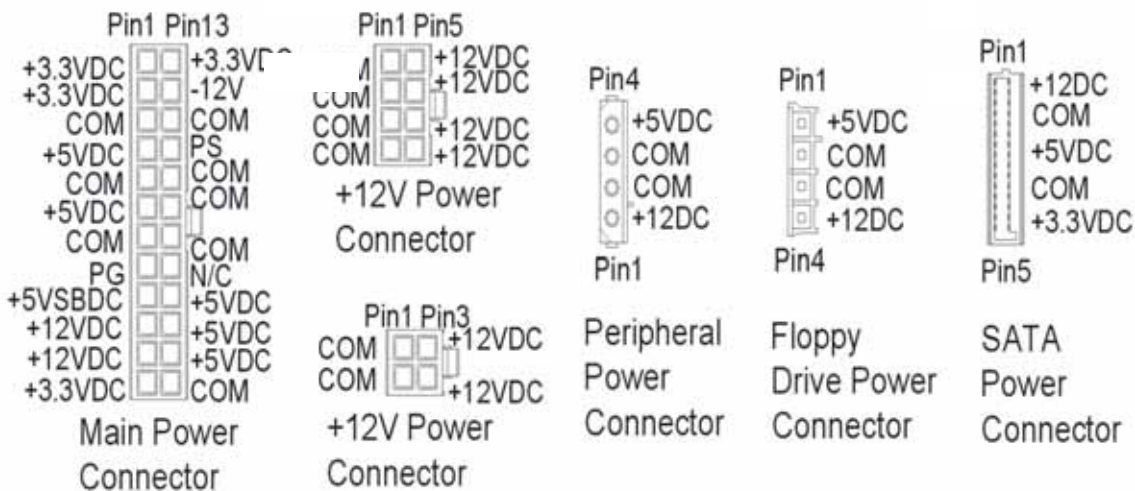




DC / DC ATX 12V & EPS 12V TYPE

Wiring & Connectors:

JDIX7400



Wiring Length :

P1 main power connector 24 pins: 500mm

P2 + P3 peripheral power connectors L4 : 500mm + 140mm

P4 + P5 peripheral power connectors L4 : 500mm + 140mm

P6 + P7 peripheral power connector L4 +

Floppy drive power connector S4 : 500mm + 140mm

P8 12V-8 power connector : 500mm

P9 12V-4 power connector : 500mm

P10 SATA- power connector : 500mm