



## Specification:

- DC input Voltage:24V or 28V (18V~36V)
- Efficiency  $\geq 80\%$ , typical load@24Vdc , 25°C
- Low ripple & noise
- Short circuit protection
- Over load and Voltage protection
- Line regulation:  $\pm 1\%$  typical
- Load regulation:  $\pm 5\%$  typical
- Operating/storage Temp. 0°C~45°C / -40°C~ 65°C
- P/G signal delay: Power on 100~500mS; off > 1mS.
- MTBF:100K Hrs typical, at 25°C
- EMC: Regulation CE EMC, FCC part 15 class A
- Dimension: W100 x D200 xH40.6mm for 1U chassis
- Cooling:40 x 40 (mm) Fan x 2
- Weight: 1.38kgs

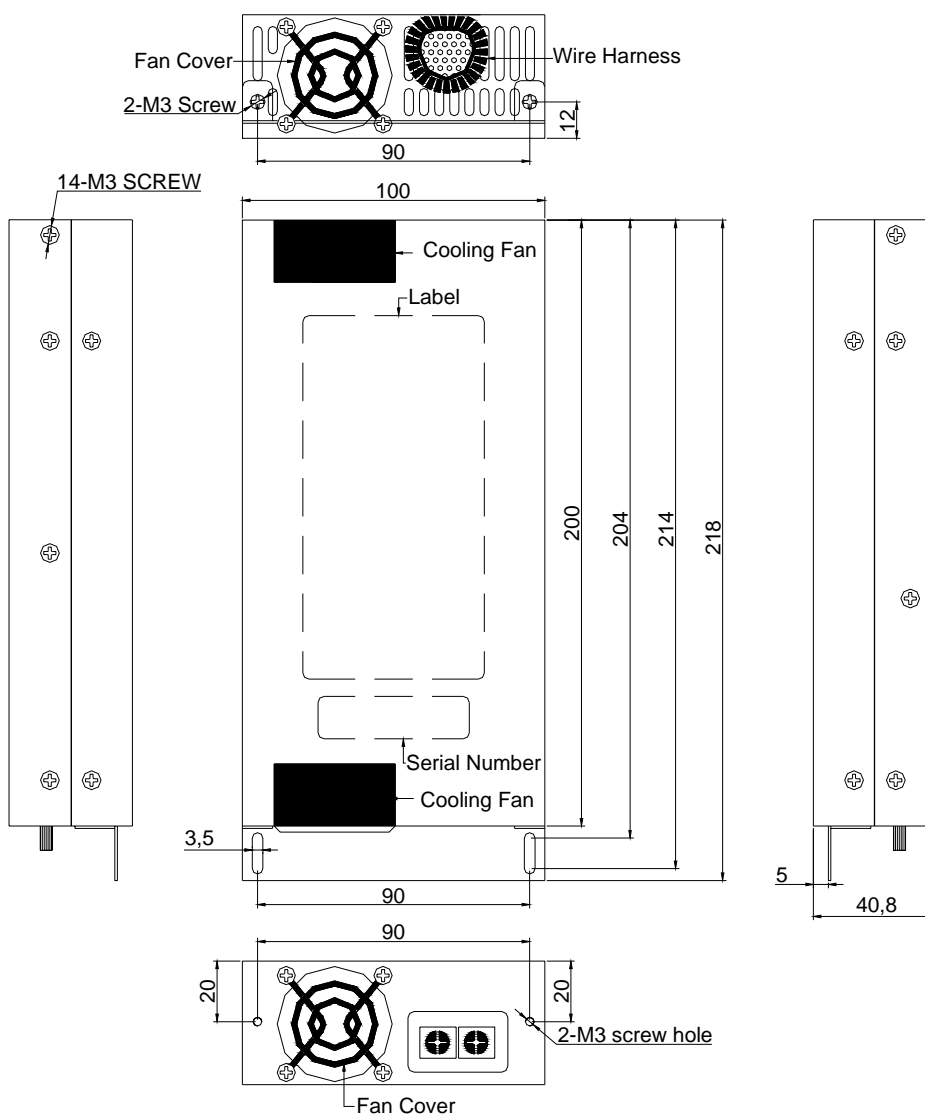
## Output List :

Model	Input	Output max						Total Output
	VDC	+5V	+3.3V	+5V&3.3V	+12V	-12V	+5VSB	
JDIX7250	18~36V	15A	15A	120W	18A	0.8A	2A	250W
JDIX7300	18~36V	18A	20A	150W	22A	0.8A	2A	300W
JDIX7350	18~36V	20A	20A	150W	23A	0.8A	2A	350W



DC / DC ATX 12V TYPE

**Mechanical Drawing:**

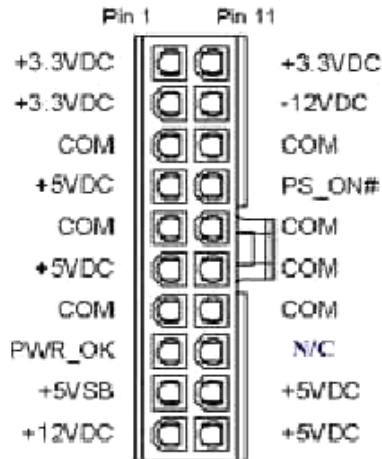




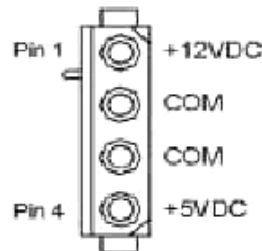
DC / DC ATX 12V TYPE

## Wiring & Connectors:

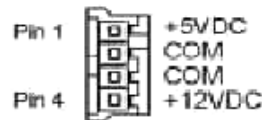
For JDIX7250, 7300, 7350 :



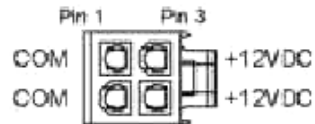
Main Power Connector



Peripheral Power Connector



Floppy Drive Power Connector



+12V Power Connector

Wiring Length :

P1 main power connector : 300mm

P2 + P3 peripheral power connectors L4 : 300mm + 140mm

P4 + P5 peripheral power connector L4 +

floppy drive power connector S4 : 300mm + 140mm

P6 12V power connector : 300mm