



Specification:

- DC input Voltage: 12V (9V~ 18V)
- Efficiency: $\geq 80\%$ (typical Full Loading 25°C @ 12Vdc input)
- Low ripple & noise
- Short circuit protection
- Over load and over voltage protection
- Line regulation: $\pm 1\%$ typical
- Load regulation: $\pm 5\%$ typical
- Operating/storage Temp. 0°C~45°C / -40°C~ 65°C
- P/G signal delay: Power on 100~500mS; off > 1mS.
- MTBF: 100K Hrs typical, at 25°C
- EMC: regulation CE EMC, FCC part 15 class A
- Dimension: W100 xD200 xH40.8 mm
- Cooling: 40 x 40 (mm) X 2 Fans
- Weight: 1.25kgs

Output:

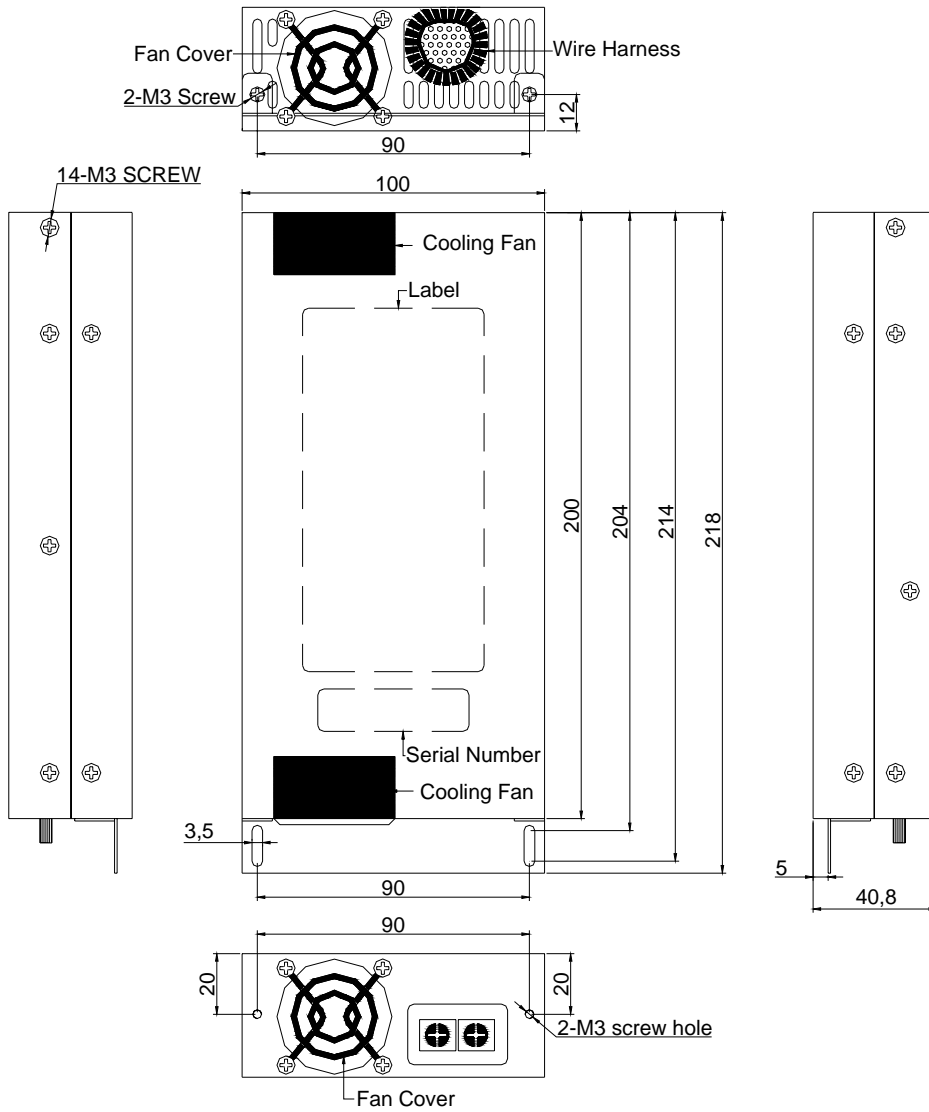
Model	Input	Output max						Total Output
	VDC	+5V	+3.3V	+5V&3.3V	+12V	-12V	+5VSB	
JDIX5160	9~18V	15A	14A	90W	12A	0.8A	2A	160W
JDIX5200	9~18V	20A	14A	100W	14A	0.8A	2A	200W
JDIX5250	9~18V	24A	14A	130W	16A	0.8A	2A	250W
JDIX5300	9~18V	26A	16A	150W	18A	0.8A	2A	300W

Lowest working at DC input voltage 8V.



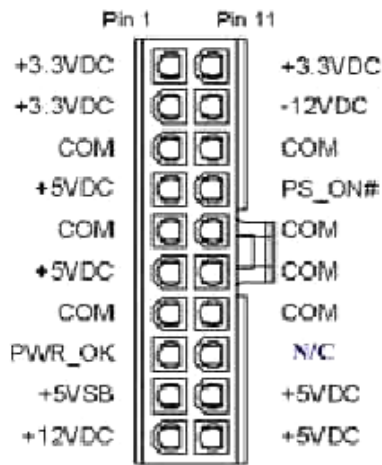
DC / DC ATX TYPE

Mechanical Drawing:

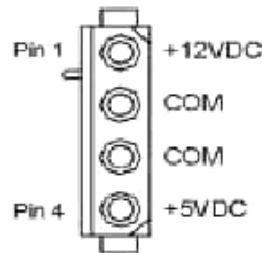




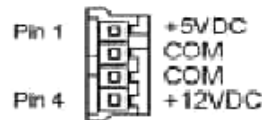
Wire Connectors:



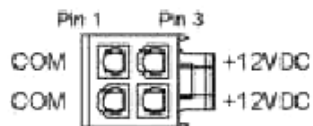
Main Power Connector



Peripheral Power Connector



Floppy Drive Power Connector



+12V Power Connector

Wiring Length :

P1 main power connector : 300mm

P2 + P3 peripheral power connectors L4 : 300mm + 140mm

P4 + P5 peripheral power connector L4 +

Floppy drive power connector S4 : 300mm + 140mm

P6 12V power connector : 300mm