



Specification:

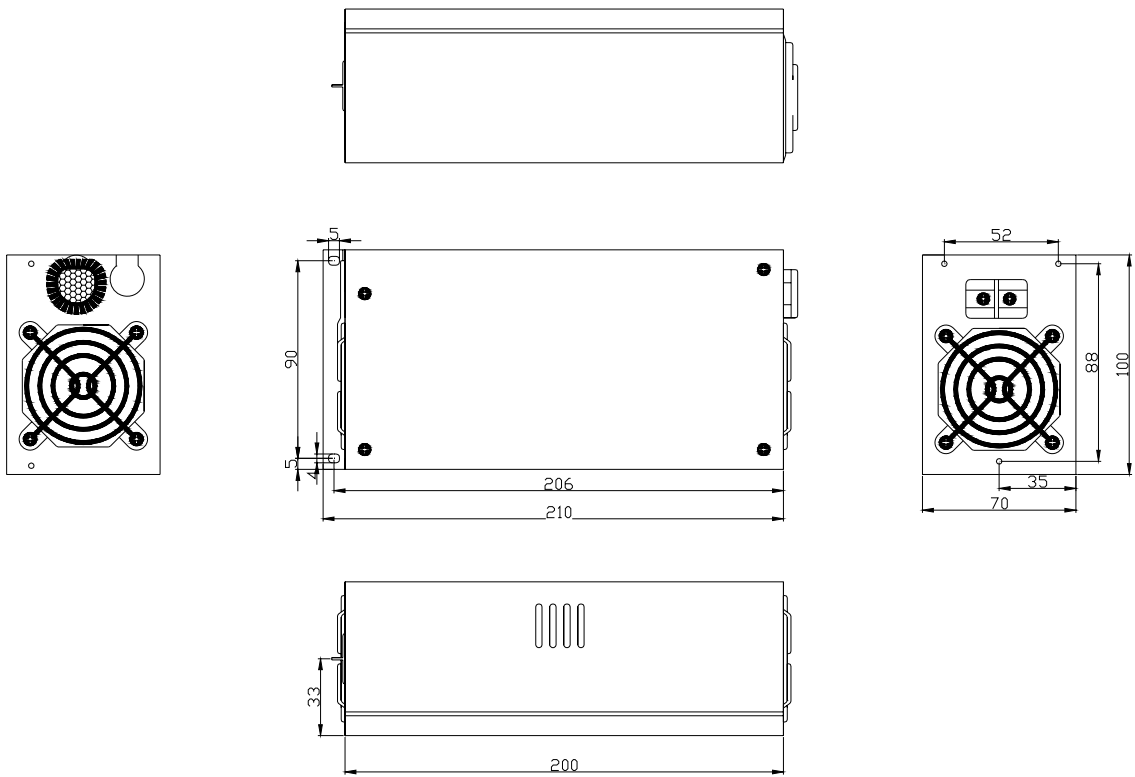
- DC input Voltage:18V~36V (24V/28V)
- Efficiency $\geq 80\%$ (Full Load @24Vdc 25°C,)
- Low ripple & noise
- Short circuit protection
- Over load and Voltage protection
- Line regulation: $\pm 1\%$ typical
- Load regulation: $\pm 5\%$ typical
- Operating/storage Temp. 0°C~50°C / -40°C~ 65°C
- P/G signal delay: Power on 100~500mS; off > 1mS.
- MTBF:100K Hrs typical, at 25°C
- EMC: Regulation EN55022 class A
- Dimension: W100 x H70 x D200 mm
- Cooling: dual fans 60 x 60 (mm)

Output List:

Model	Input	Output max						Total Output
	VDC	+5V	+3.3V	+5V&3.3V	+12V	-12V	+5VSB	
JD2X7460	18~36V	22A	22A	150W	28A	0.8A	2A	460W
JD2X7500	18~36V	25A	25A	150W	30A	0.8A	2A	500W
JD2X7550	18~36V	27A	27A	200W	32A	0.8A	2A	550W
JD2X7600	18~36V	30A	30A	250W	32A	0.8A	2A	600W
JD2X7650	18~36V	30A	30A	250W	35A	0.8A	2A	650W
JD2X7700	18~36V	30A	30A	250W	40A	0.8A	2A	700W

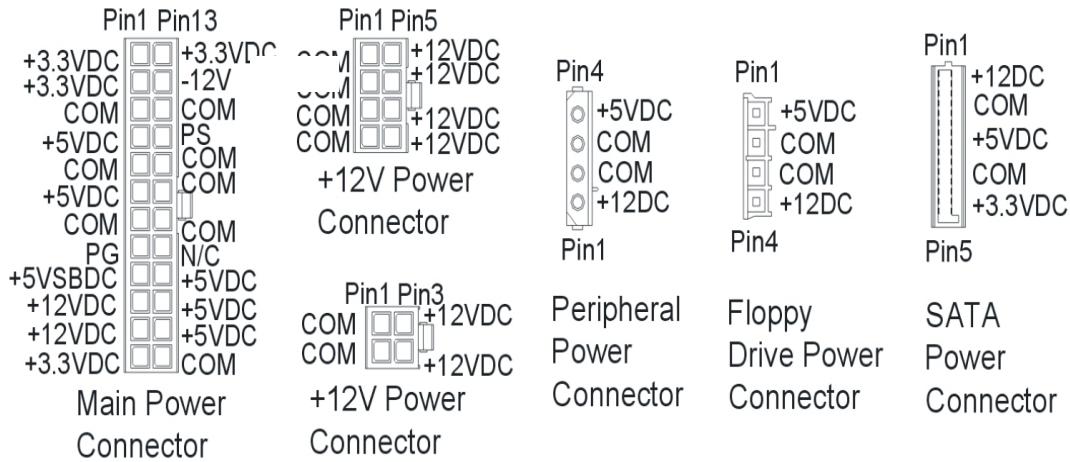


Mechanical Drawing:





Wire Harness: JDTX7460-7600



Wiring Length :

P1 main power connector 24 pins: 500mm

P2 + P3 peripheral power connectors L4 : 500mm + 140mm

P4 + P5 peripheral power connectors L4 : 500mm + 140mm

P6 + P7 peripheral power connector L4 +

floppy drive power connector S4 : 500mm + 140mm

P8 12V-8 power connector : 500mm

P9 12V-4 power connector : 500mm

P10 SATA- power connector : 500mm