



Specification:

- DC input Voltage: 24Vdc (18V~36V)
28Vdc (18V~36V)
- Efficiency $\geq 80\%$ (24Vdc @25°C Full set load)
- Low ripple & noise
- Short circuit protection
- Over load and Voltage protection
Non-isolation between primary and secondary
- Line regulation: $\pm 1\%$ typical
- Load regulation: $\pm 5\%$ typical
- Operating/storage Temp. 0°C~50°C / -40°C~ 65°C
- P/G signal delay: Power on 100~500mS; off > 1mS.
- MTBF: 100K Hrs typical, at 25°C
- EMC: Regulation EN55022 class A
- Safety: meet to 60950
- Dimension: W100 x H72 x D200 mm
- Cooling: 60 x 60 (mm) : dual fans

Output List:

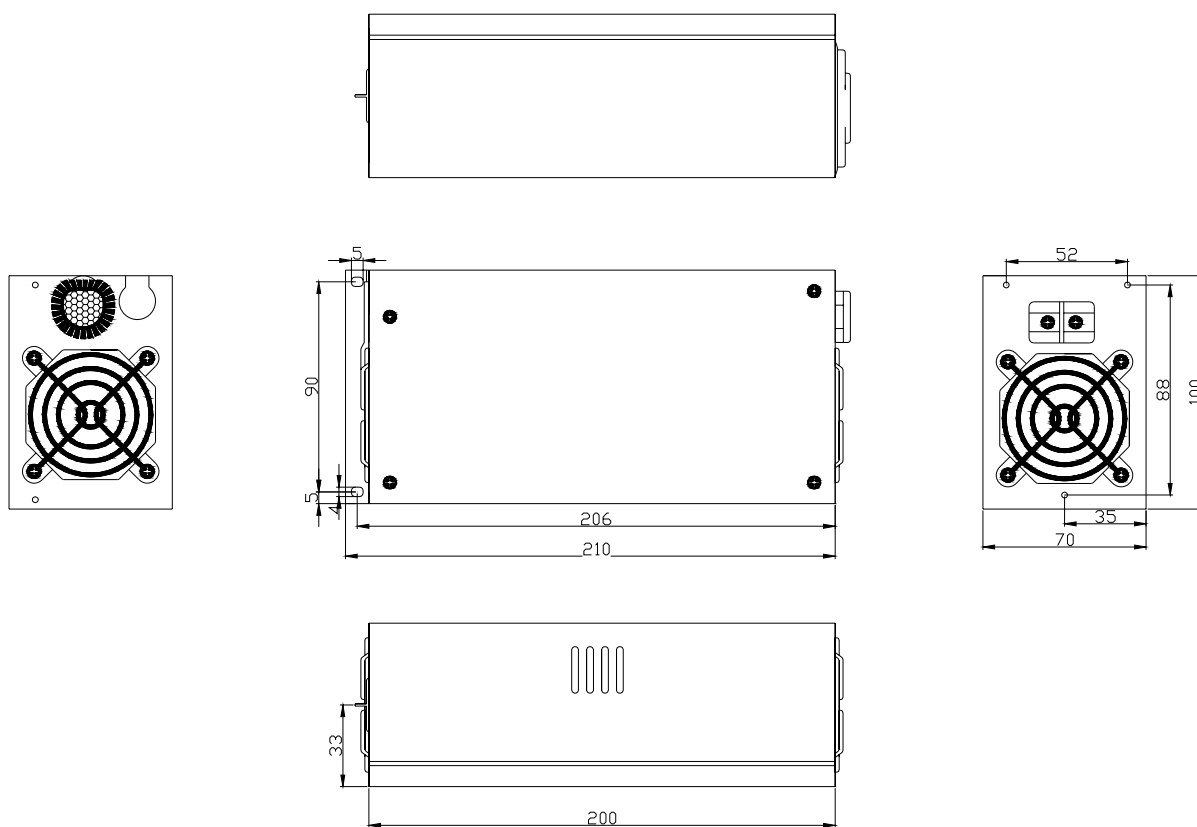
| Model | Input | Output max | | | | | | Total Output |
|----------|--------|------------|-------|----------|------|------|-------|--------------|
| | VDC | +5V | +3.3V | +5V&3.3V | +12V | -12V | +5VSB | |
| JD2X7460 | 18~36V | 22A | 22A | 150W | 28A | 0.8A | 2A | 460W |
| JD2X7500 | 18~36V | 25A | 25A | 150W | 30A | 0.8A | 2A | 500W |
| JD2X7550 | 18~36V | 25A | 25A | 200W | 32A | 0.8A | 2A | 550W |
| JD2X7600 | 18~36V | 25A | 25A | 220W | 35A | 0.8A | 2A | 600W |

Model:
JD2X7460
JD2X7500
JD2X7550
JD2X7600



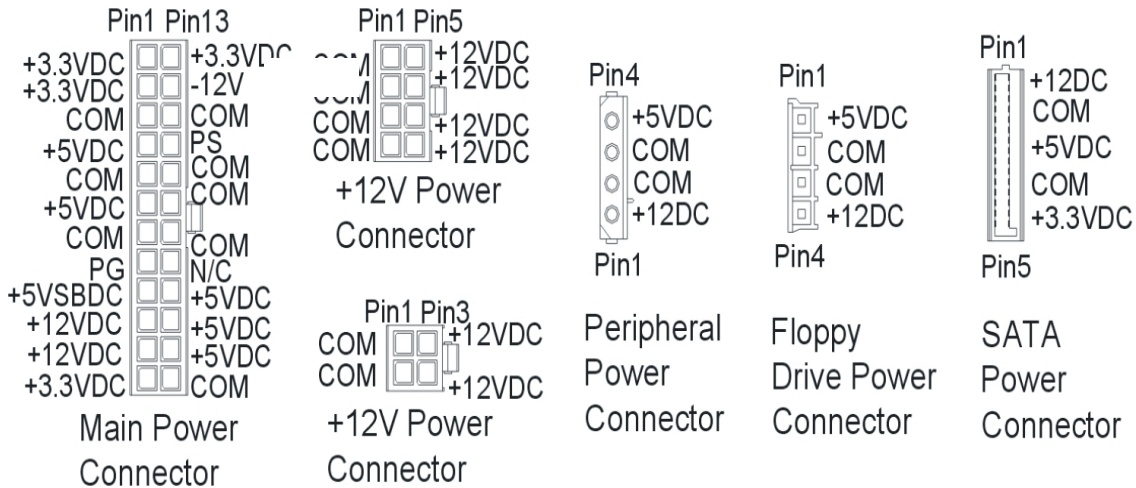
DC / DC ATX 12V TYPE

Mechanical Drawing:





Wire Harness: JDTX7460-7600



Wiring Length :

- P1 main power connector 24 pins: 500mm
- P2 + P3 peripheral power connectors L4 : 500mm + 140mm
- P4 + P5 peripheral power connectors L4 : 500mm + 140mm
- P6 + P7 peripheral power connector L4 + floppy drive power connector S4 : 500mm + 140mm
- P8 12V-8 power connector : 500mm
- P9 12V-4 power connector : 500mm
- P10 SATA- power connector : 500mm