



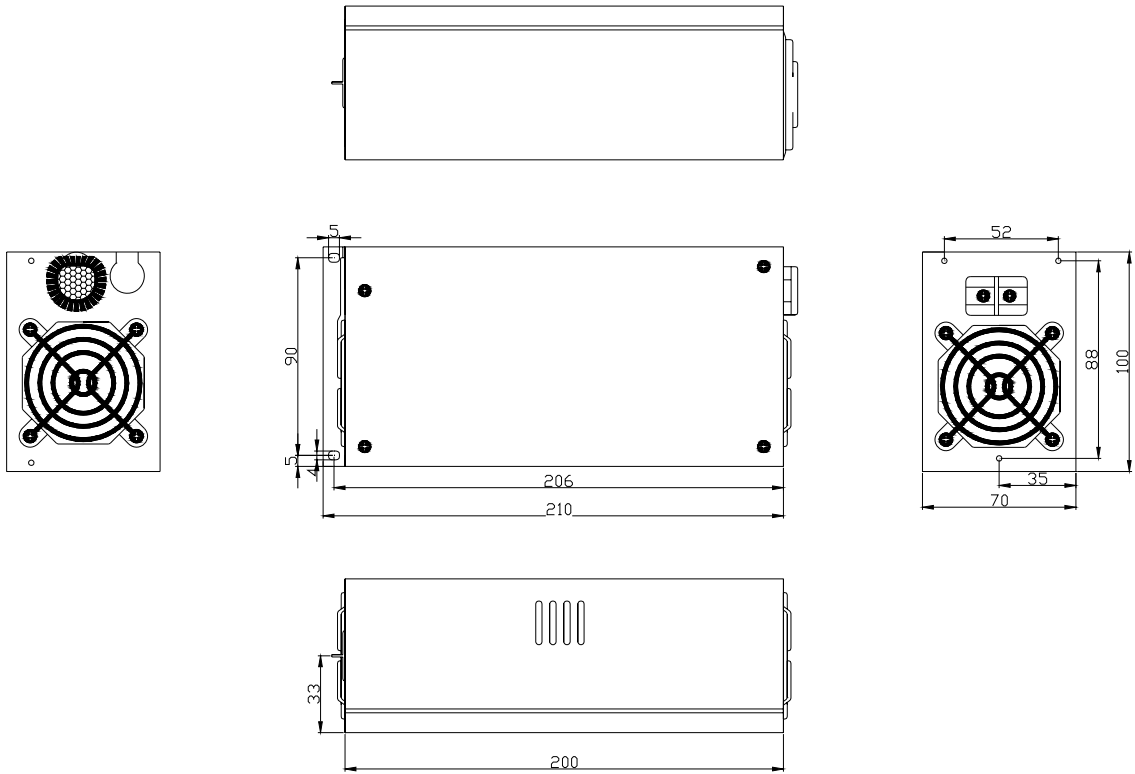
Specification:

- DC input Voltage: 24V (18V~36V)
28V (18V~36V)
- DC efficiency input typical: $\geq 80\%$ (24Vdc @25°C, typical load)
- Low ripple & noise
- Short circuit protection
- Over load and Voltage protection
- Line regulation: $\pm 1\%$ typical
- Load regulation: $\pm 5\%$ typical
- Operating/storage Temp. 0°C~50°C / -40°C~ 65°C
- P/G signal delay: Power on 100~500mS; off > 1mS.
- MTBF: 100K Hrs typical, at 25°C
- EMC: Regulation EN55022 class A
- Dimension: W100 x H706 x D200 mm
- Cooling: 80 x 80 (mm) Fan

Output :

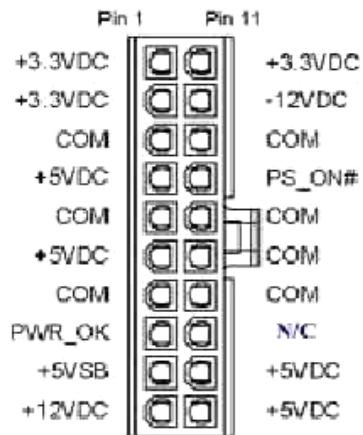
Model	Input	Output max						Total Output
	VDC	+5V	+3.3V	+5V&3.3V	+12V	-12V	+5VSB	
JD2X7250	18~36V	20A	20A	150W	18A	0.8A	2A	250W
JD2X7300	18~36V	20A	20A	150W	20A	0.8A	2A	300W
JD2X7350	18~36V	20A	20A	150W	23A	0.8A	2A	350W
JD2X7400	18~36V	22A	22A	150W	26A	0.8A	2A	400W

Mechanical Drawing:

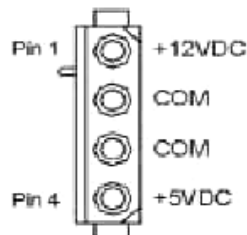


Wire Harness:

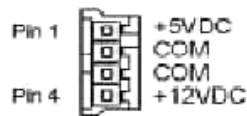
For JD2X7250, 7300, 7350 :



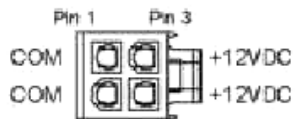
Main Power Connector



Peripheral Power Connector



Floppy Drive Power Connector



+12V Power Connector

Wiring Length :

P1 main power connector : 300mm

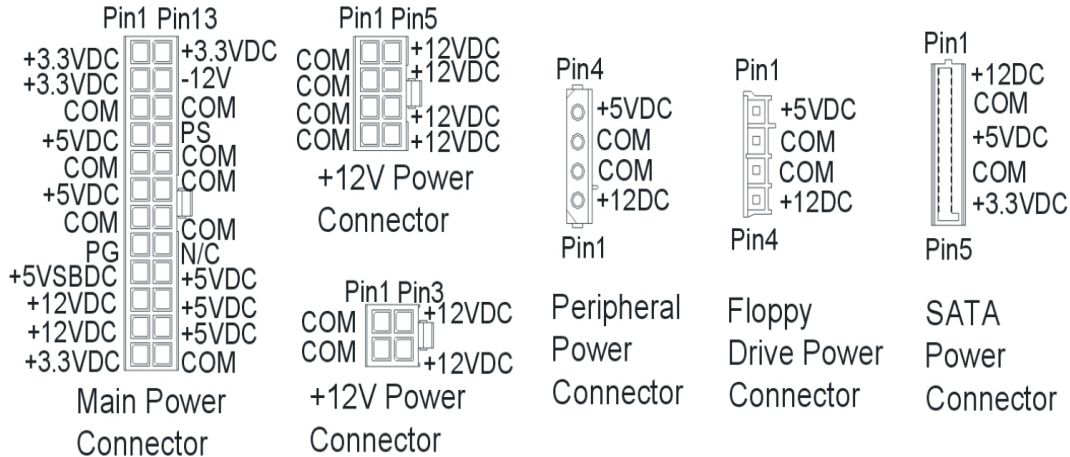
P2 + P3 peripheral power connectors L4 : 300mm + 140mm

P4 + P5 peripheral power connector L4 +

Floppy drive power connector S4 : 300mm + 140mm

P6 12V power connector : 300mm

For JD2X7400 :



Wiring Length :

P1 main power connector 24 pins: 500mm

P2 + P3 peripheral power connectors L4 : 500mm + 140mm

P4 + P5 peripheral power connectors L4 : 500mm + 140mm

P6 + P7 peripheral power connector L4 +

Floppy drive power connector S4 : 500mm + 140mm

P8 12V-8 power connector : 500mm

P9 12V-4 power connector : 500mm

P10 SATA- power connector : 500mm