



DC / DC ATX 12V TYPE

Specification:

- DC input Voltage: 24V(18V~36V)
28V(18V~36V)
- Efficiency $\geq 87\%$ (24Vdc @25°C, Full Load)
- Non-isolation between primary and secondary
- Low ripple & noise
- Short circuit protection
- Over load and Voltage protection
- Line regulation: $\pm 1\%$ typical
- Load regulation: $\pm 5\%$ typical
- Operating/storage Temp. 0°C~55°C / -20°C~ 70°C
- P/G signal delay: Power on 100~500mS; off > 1mS.
- MTBF:100K Hrs typical, at 25°C
- EMC: CE EN55022 :2006 B, EN55024 ,FCC part 15 class B
- Safety: Meet EN60950
- Dimension: W100 x H70 x D200 mm
- Cooling: 60 x 60 (mm): dual fans
- Weight: 2kgs

2U JD2X7250-7350

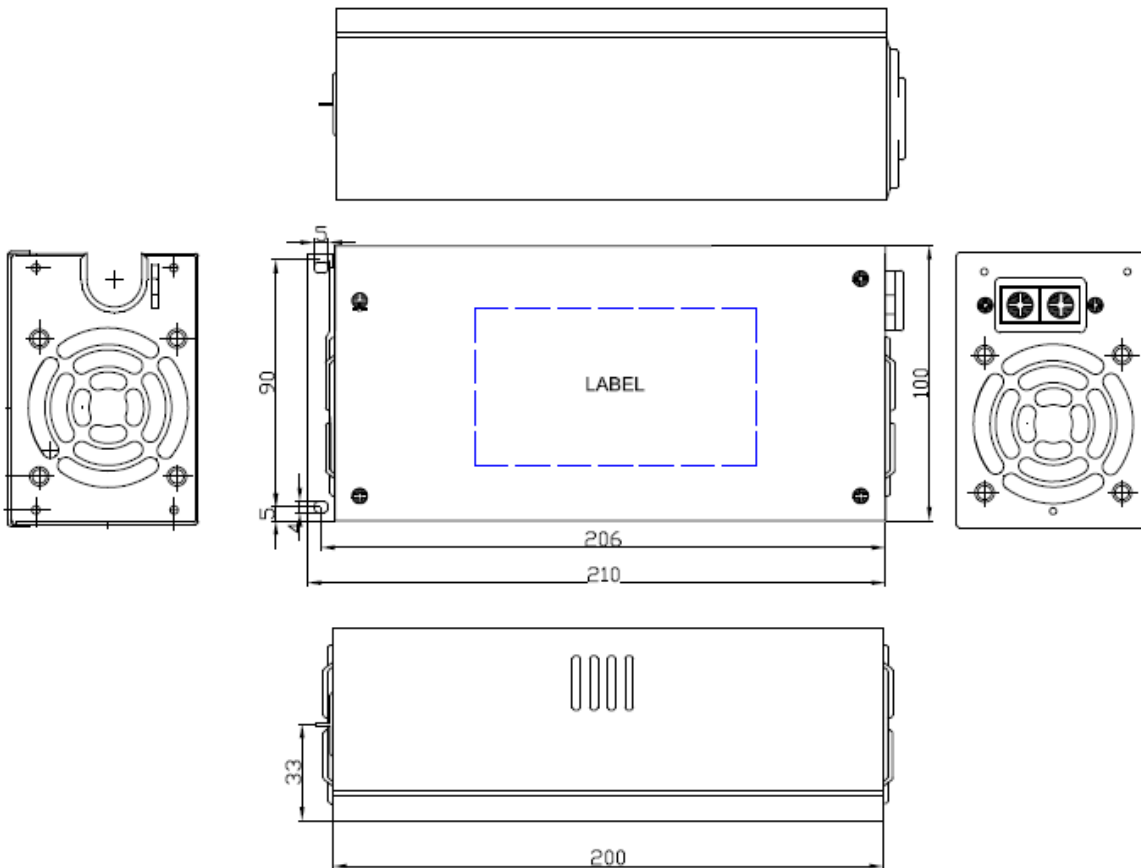
Output List

Model	Input	Output min./max.A						Total Output Max.(W)
	VDC	+5V	+3.3V	+5V&3.3V	+12V	-12V	+5VSB	
JD2X7250	18~36V	0.2/15A	0.1/19A	97W	0.6/17A	0/0.3A	0/2A	250W
JD2X7300	18~36V	0.2/15A	0.1/21A	103W	0.6/19A	0/0.3A	0/2A	300W
JD2X7350	18~36V	0.2/20A	0.1/21A	103W	0.6/25A	0/0.3A	0/2A	350W



DC / DC ATX 12V TYPE

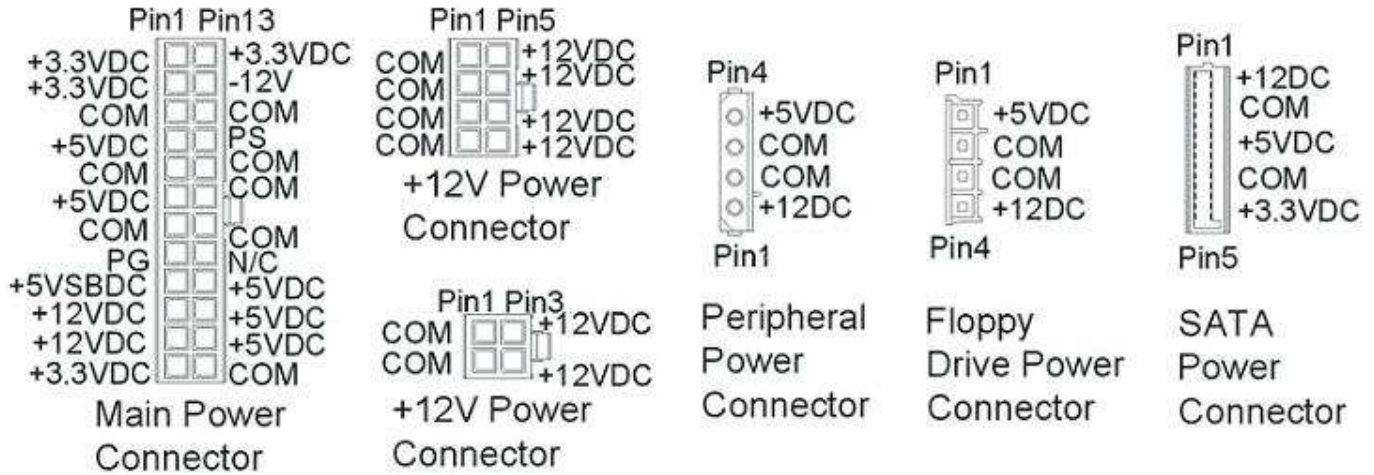
Mechanical Drawing:





DC / DC ATX 12V TYPE

Wire Harness:



Wiring Length:

P1 main power connector 20+4 pins: 300mm

P2 + P3 peripheral power connectors L4: 300mm + 140mm

P4 + P5 peripheral power connector L4 +

Floppy drive power connector S4: 300mm + 140mm

P8 12V-8 power connector : 300mm

P6 12V power connector: 300mm

SATA x 2 power connector : 300mm +140mm