



## Specification:

- DC input Voltage: 9V~18V
- DC efficiency input typical:  $\geq 80\%$  (typical Loading 25°C @ 12Vdc input)  
DC input current 40A
- Low ripple & noise
- Short circuit protection
- Over load and Voltage protection
- Line regulation:  $\pm 1\%$  typical
- Load regulation:  $\pm 5\%$  typical
- Operating/storage Temp. 0°C~45°C / -50°C~ 50°C
- P/G signal delay: Power on 100~500mS; off > 1mS.
- MTBF: 100K Hrs typical, at 25°C
- EMC: Regulation CE EMC, FCC part 15 class A
- Dimension: W100 x D200 x H70 mm for 2U chassis
- Cooling: 60 x 60 (mm) Fan x 2

## JD2X5250 ~ 5350

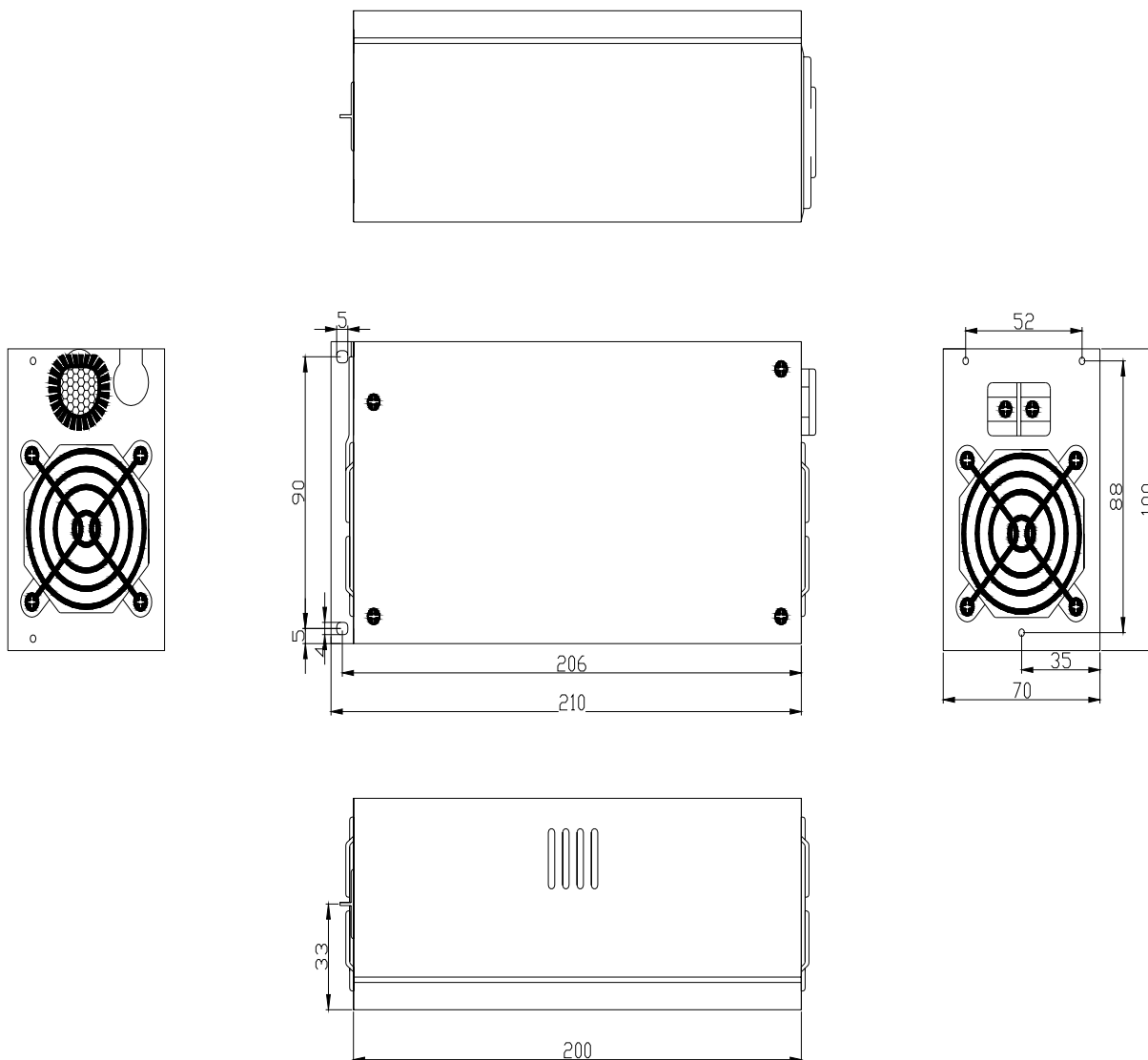
Model	Input	Output max						Total Output
	VDC	+5V	+3.3V	+5V&3.3V	+12V	-12V	+5VSB	
JD2X5250	9~18V	24A	14A	130W	16A	0.8A	2A	250W
JD2X5300	9~18V	26A	16A	150W	18A	0.8A	2A	300W
JD2X5350	9~18V	26A	20A	160W	20A	0.8A	2A	350W

Lowest working at DC input voltage 8V.



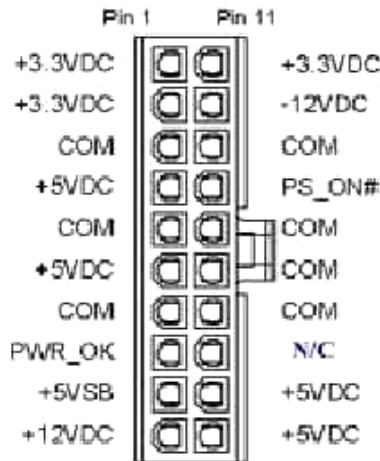
DC / DC ATX 12V TYPE

**Mechanical Drawing:**

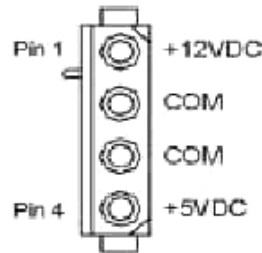




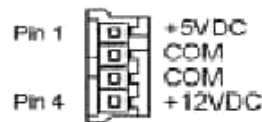
**Wire Connectors:**



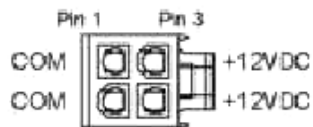
**Main Power Connector**



**Peripheral Power Connector**



**Floppy Drive Power Connector**



**+12V Power Connector**

**Wiring Length :**

P1 main power connector : 300mm

P2 + P3 peripheral power connectors L4 : 300mm + 140mm

P4 + P5 peripheral power connector L4 +

Floppy drive power connector S4 : 300mm + 140mm